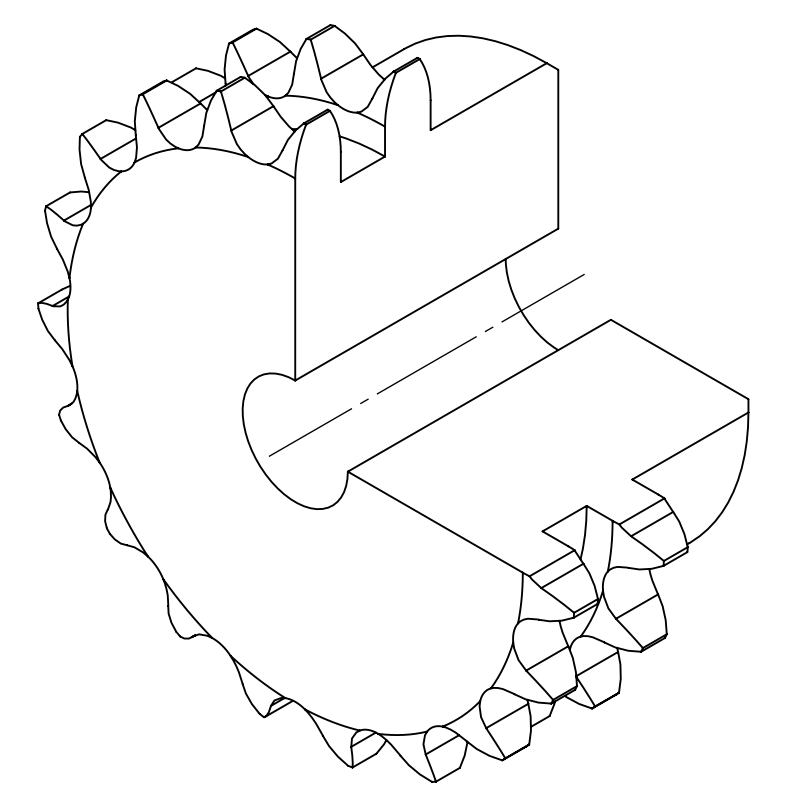
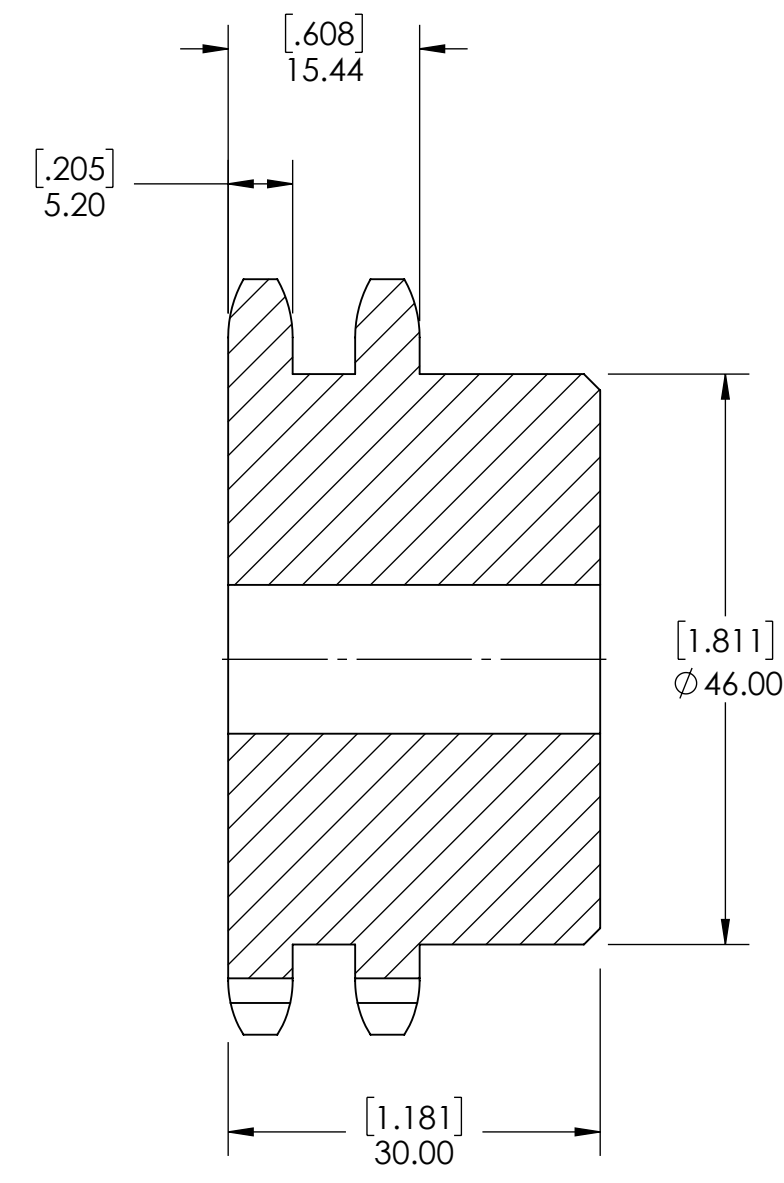
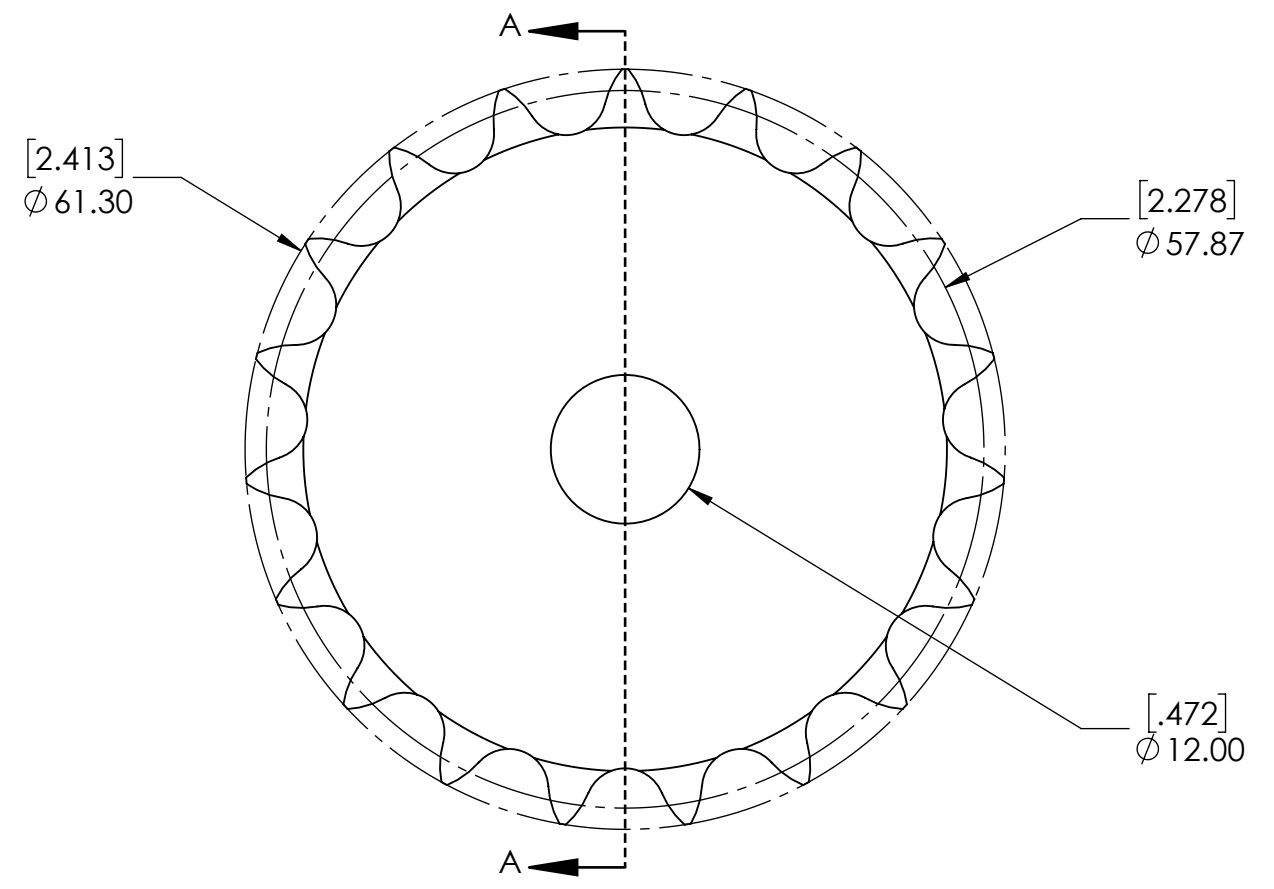


9 8 7 6 5 4 3 2 1

G F E D C B A



SECTION A-A

SPROCKETS SPECIFICATIONS		WEIGHT		0.93 LBS		
UNITS	mm (INCH)	MATERIAL	STEEL			
CHAIN SIZE	06B	COATING	BLACK OXIDE			
PITCH	9.525 mm	DRAWN	SEC	07/30/2025		
INNER WIDTH	5.72 mm	CHECKED	EG	07/30/2025		
ROLLER DIA.	6.35 mm	APPROVED				
TOOTH WIDTH	5.20 mm	THIRD ANGLE PROJECTION		DATE	BY	
NUMBER OF TEETH	19			REVISION DESCRIPTION		REV
HUB STYLE	B			ITEM DESCRIPTION:		SCALE
BORE TYPE	PLAIN BORE	DWG. NO.		06B-2-19B		1:1
BUSHING NUMBER	N/A	PTI <small>INDUSTRIAL MOTION GROUP</small>		<small>PROPRIETARY AND CONFIDENTIAL</small> <small>THE INFORMATION CONTAINED IN THIS DRAWING IS THE SOLE PROPERTY OF SOLVE IMG. ANY REPRODUCTION IN PART OR AS A WHOLE WITHOUT THE WRITTEN PERMISSION OF SOLVE IMG IS PROHIBITED.</small>		REV
						-

9 8 7 6 5 4 3 2 1

A B C D E F G