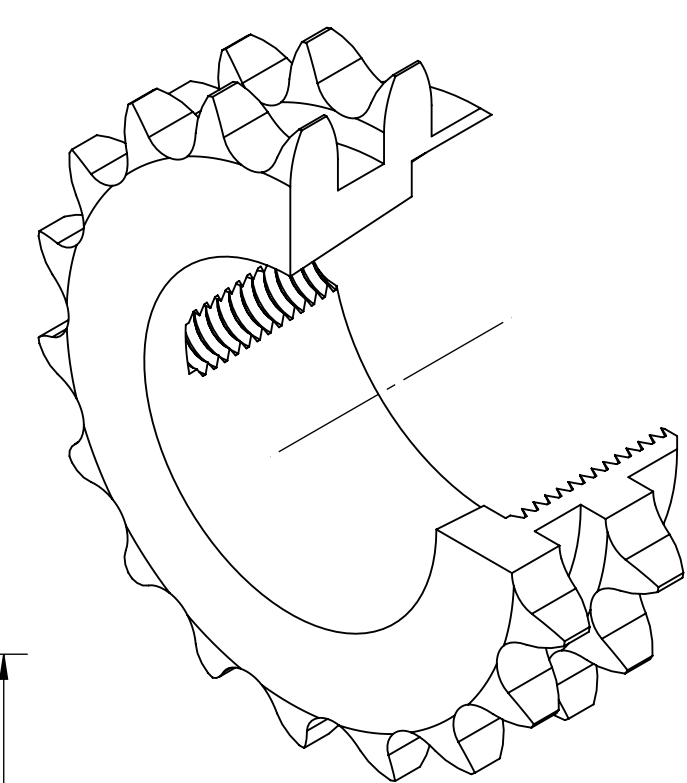
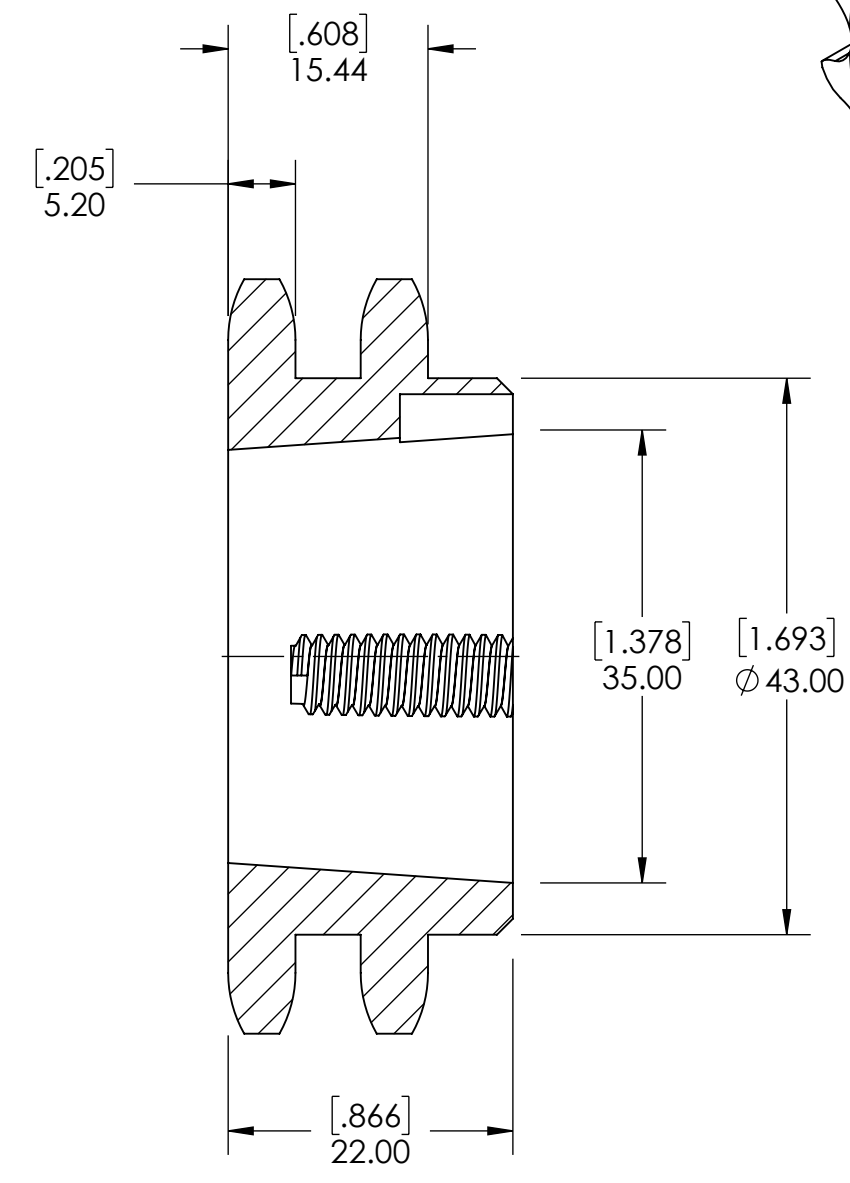
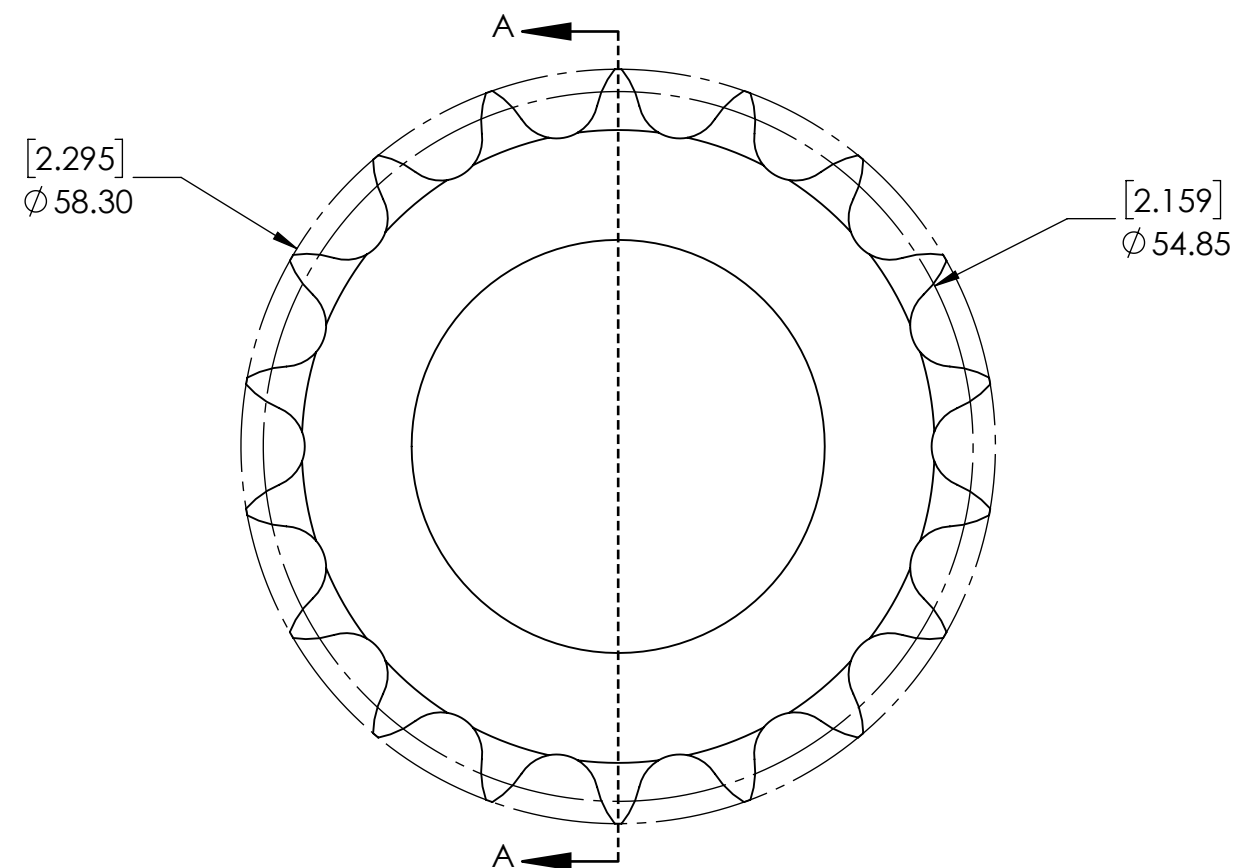


9 8 7 6 5 4 3 2 1

G  
F  
E  
D  
C  
B  
A

G  
F  
E  
D  
C  
B  
A



SECTION A-A

SPROCKETS SPECIFICATIONS		WEIGHT		DATE		BY		REVISION DESCRIPTION		REV
UNITS	mm (INCH)	0.32 LBS								
CHAIN SIZE	06B	STEEL								
PITCH	9.525 mm	BLACK OXIDE		DRAWN SEC 07/30/2025						
INNER WIDTH	5.72 mm			CHECKED EG 07/30/2025						
ROLLER DIA.	6.35 mm			APPROVED						
TOOTH WIDTH	5.20 mm									
NUMBER OF TEETH	18									
HUB STYLE	B									
BORE TYPE	FOR TAPER BUSHING									
BUSHING NUMBER	1008									
		DWG. NO.		<small>PROPRIETARY AND CONFIDENTIAL</small> <small>THE INFORMATION CONTAINED IN THIS DRAWING IS THE SOLE PROPERTY OF SOLVE IMG. ANY REPRODUCTION IN PART OR AS A WHOLE WITHOUT THE WRITTEN PERMISSION OF SOLVE IMG IS PROHIBITED.</small>		ITEM DESCRIPTION:		06B-2-18TL-1008		SCALE 1:1
										REV -

9 8 7 6 5 4 3 2 1