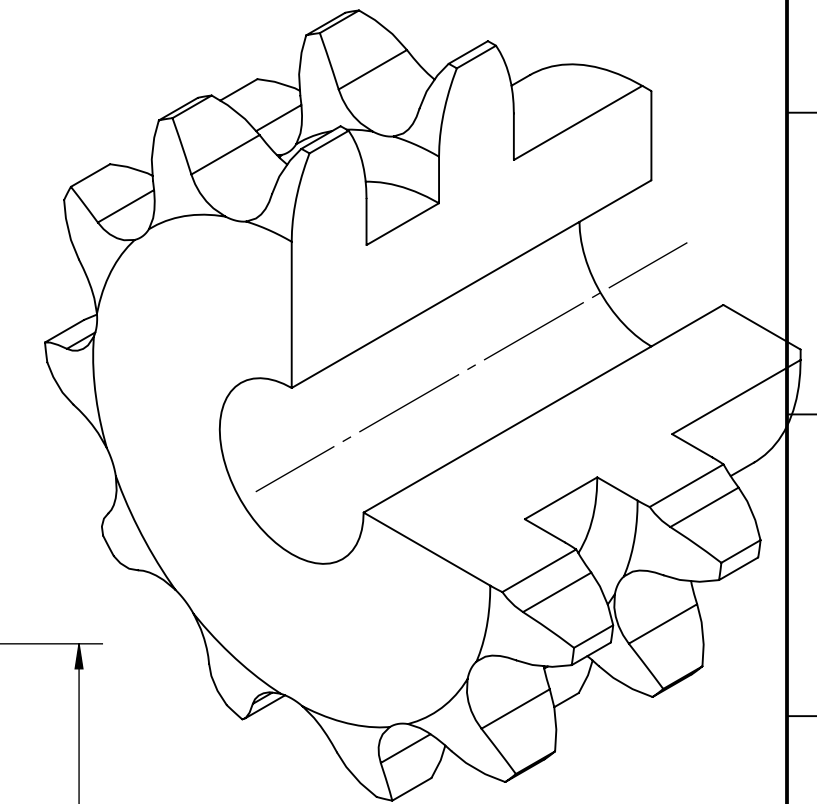
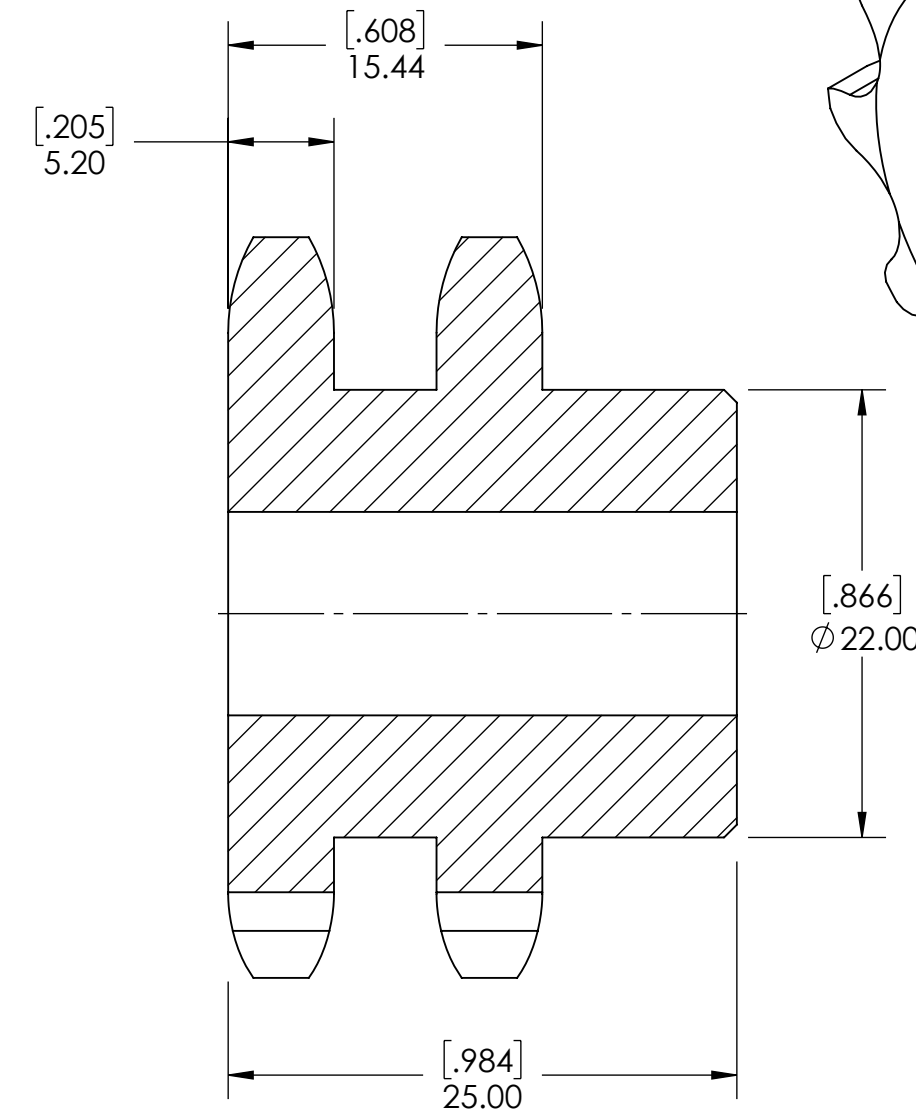
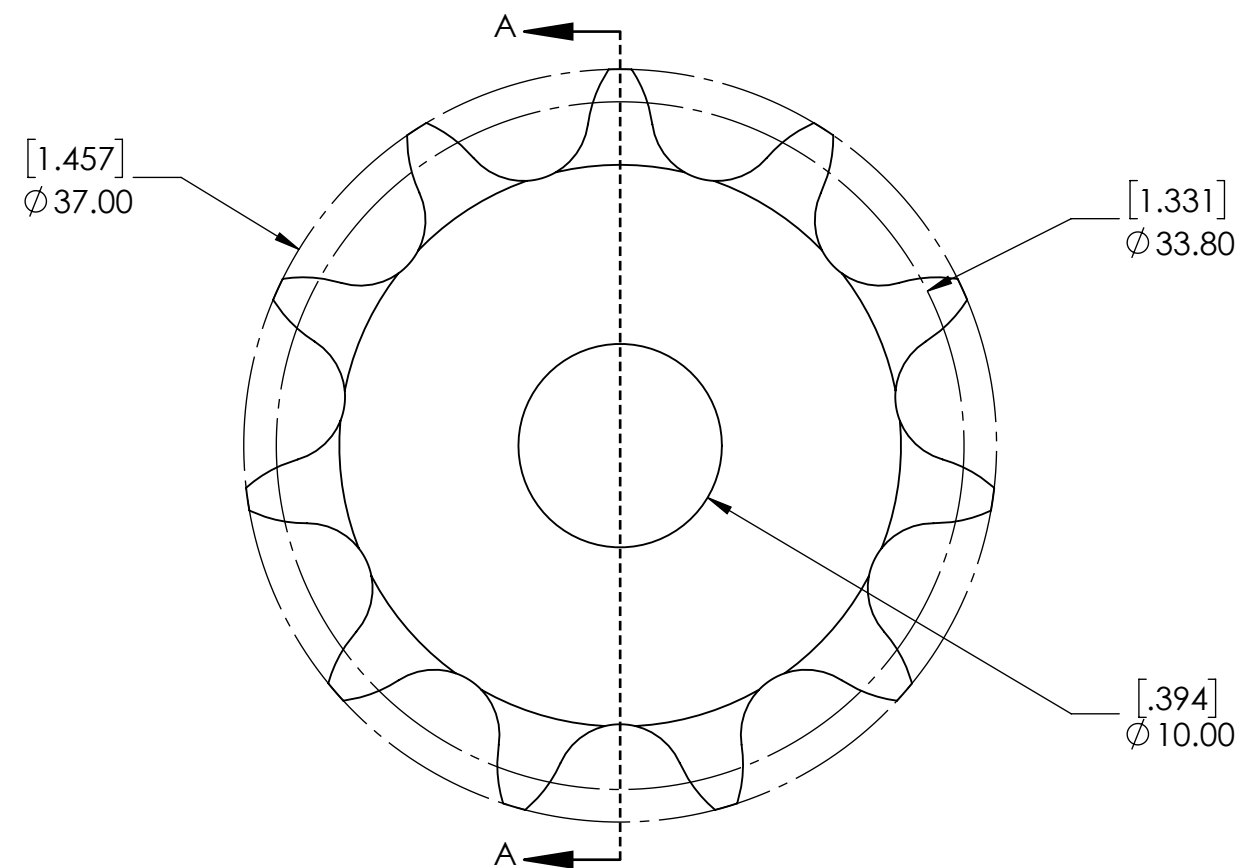


9 8 7 6 5 4 3 2 1

G
F
E
D
C
B
A

G
F
E
D
C
B
A



SECTION A-A

SPROCKETS SPECIFICATIONS		WEIGHT		DATE		BY		REVISION DESCRIPTION		REV
UNITS	mm (INCH)	0.20 LBS								
CHAIN SIZE	06B	STEEL								
PITCH	9.525 mm	BLACK OXIDE		07/30/2025						
INNER WIDTH	5.72 mm	DRAWN		EG						
ROLLER DIA.	6.35 mm	CHECKED		EG						
TOOTH WIDTH	5.20 mm	APPROVED								
NUMBER OF TEETH	11									
HUB STYLE	B									
BORE TYPE	PLAIN BORE	DWG. NO.		06B-2-11B						
BUSHING NUMBER	N/A			<small>PROPRIETARY AND CONFIDENTIAL</small> <small>THE INFORMATION CONTAINED IN THIS DRAWING IS THE SOLE PROPERTY OF SOLVE IMG. ANY REPRODUCTION IN PART OR AS A WHOLE WITHOUT THE WRITTEN PERMISSION OF SOLVE IMG IS PROHIBITED.</small>						
ITEM DESCRIPTION: SCALE 1:1										

9 8 7 6 5 4 3 2 1