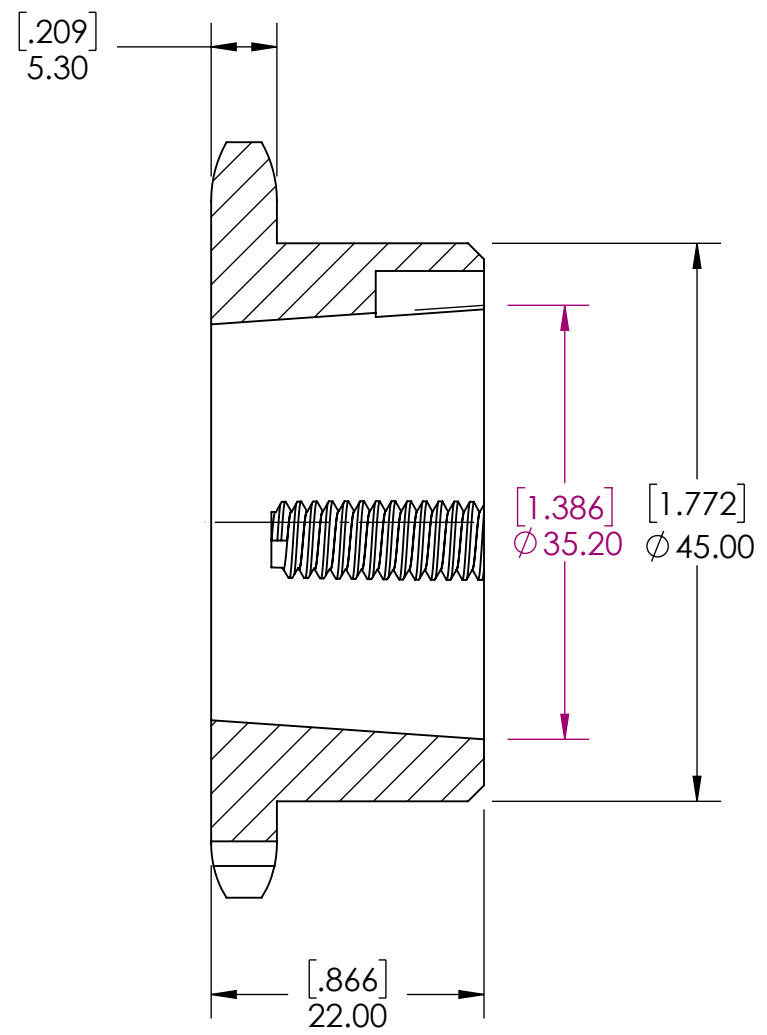
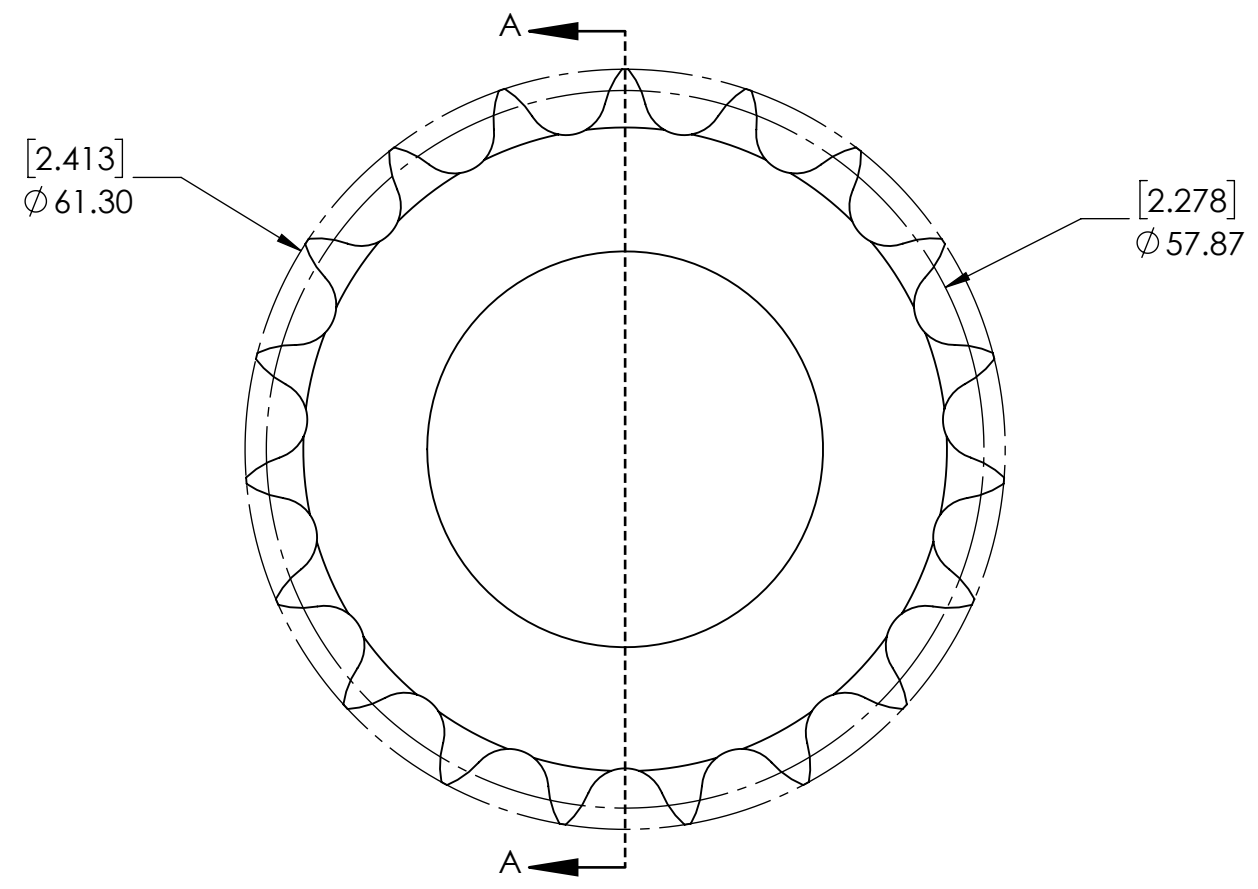


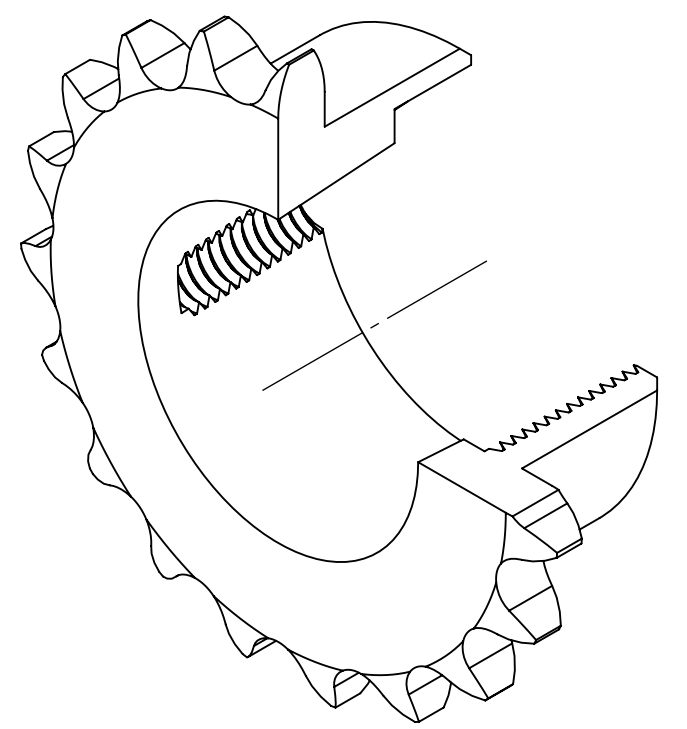
9 8 7 6 5 4 3 2 1

G
F
E
D
C
B
A

G
F
E
D
C
B
A



SECTION A-A



NOTES:
1. HARDENED TEETH.

SPROCKETS SPECIFICATIONS		WEIGHT		DATE		BY		REVISION DESCRIPTION		REV
UNITS	mm (INCH)	0.33 LBS								
CHAIN SIZE	06B	MATERIAL	STEEL							
PITCH	9.525 mm	COATING	BLACK OXIDE	DRAWN		SEC		07/16/2025		
INNER WIDTH	5.72 mm	CHECKED	EG	07/16/2025						
ROLLER DIA.	6.35 mm	APPROVED								
TOOTH WIDTH	5.30 mm	THIRD ANGLE PROJECTION								
NUMBER OF TEETH	19	DWG. NO.								
HUB STYLE	B	PTI		PROPRIETARY AND CONFIDENTIAL						
BORE TYPE	FOR TAPER BUSHING	06B-19HTL-1008		ITEM DESCRIPTION:						
BUSHING NUMBER	1008	SCALE		1:1						
		REV		-						

9 8 7 6 5 4 3 2 1