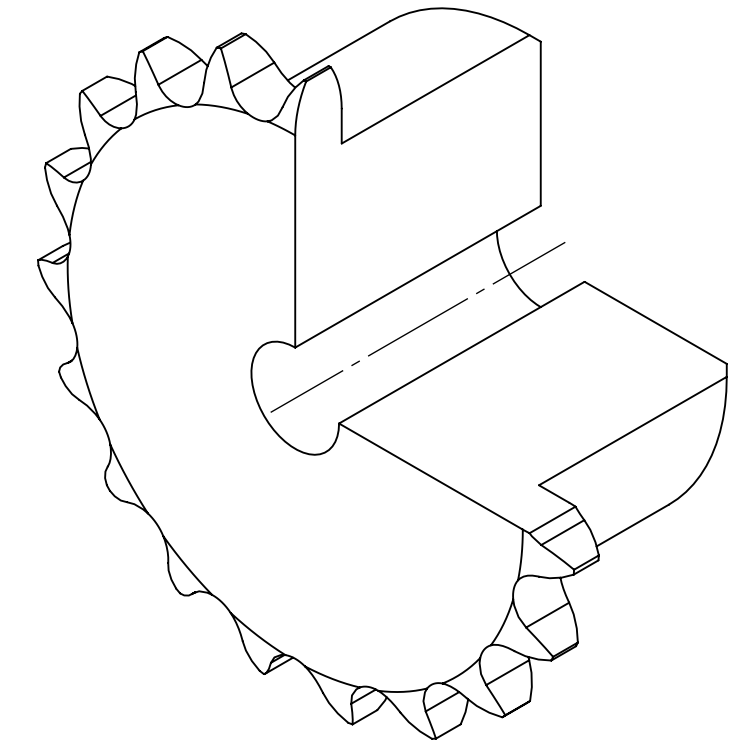
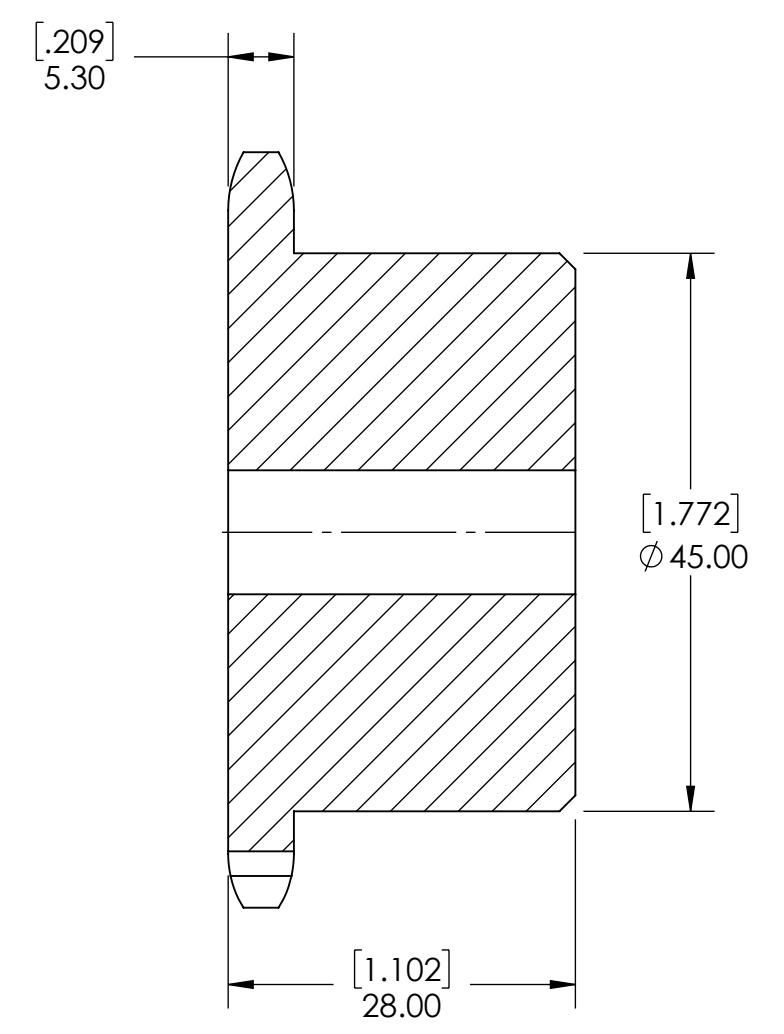
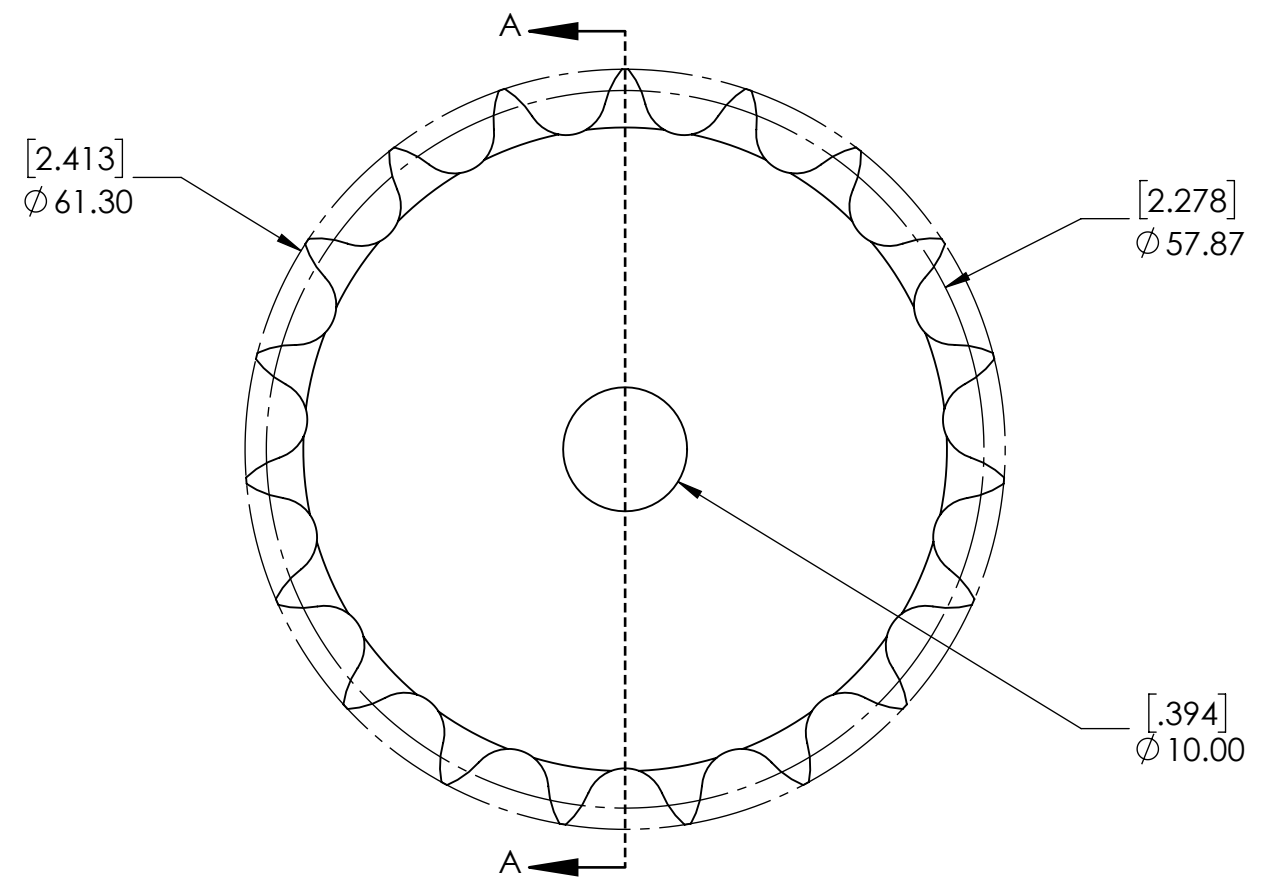


9 8 7 6 5 4 3 2 1

G F E D C B A



SECTION A-A

SPROCKETS SPECIFICATIONS		WEIGHT		0.82 LBS	
UNITS	mm (INCH)	MATERIAL	STAINLESS STEEL		
CHAIN SIZE	06B	COATING	N/A		
PITCH	9.525 mm	DRAWN	SEC	07/16/2025	
INNER WIDTH	5.72 mm	CHECKED	EG	07/16/2025	
ROLLER DIA.	6.35 mm	APPROVED	DATE BY REVISION DESCRIPTION		
TOOTH WIDTH	5.30 mm		ITEM DESCRIPTION:		
NUMBER OF TEETH	19		06B-19BSS		
HUB STYLE	B	DWG. NO.			SCALE
BORE TYPE	PLAIN BORE	PROPRIETARY AND CONFIDENTIAL			1:1
BUSHING NUMBER	N/A	THE INFORMATION CONTAINED IN THIS DRAWING IS THE SOLE PROPERTY OF SOLVE IMG. ANY REPRODUCTION IN PART OR AS A WHOLE WITHOUT THE WRITTEN PERMISSION OF SOLVE IMG IS PROHIBITED.			REV
					-

9 8 7 6 5 4 3 2 1

A B C D E F G