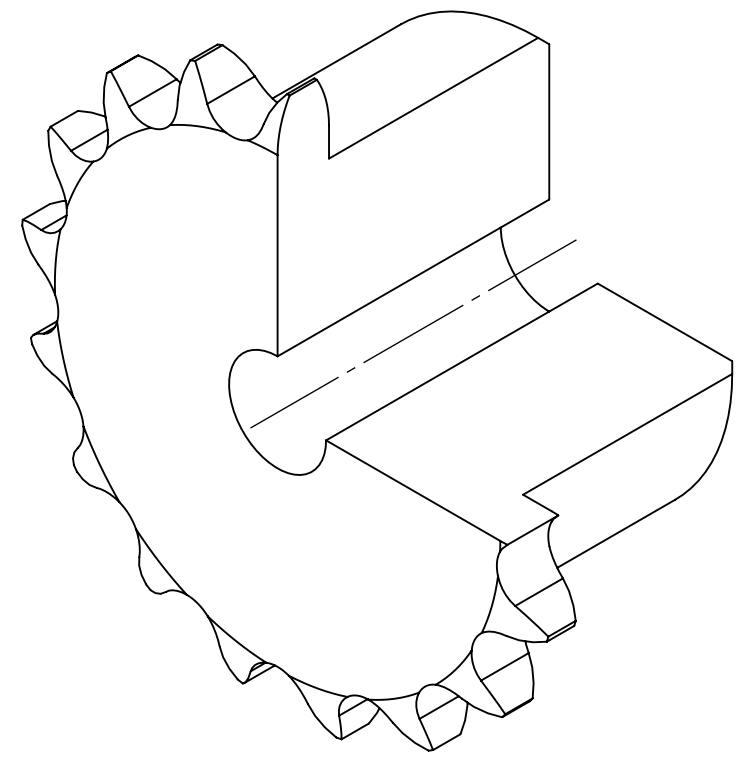
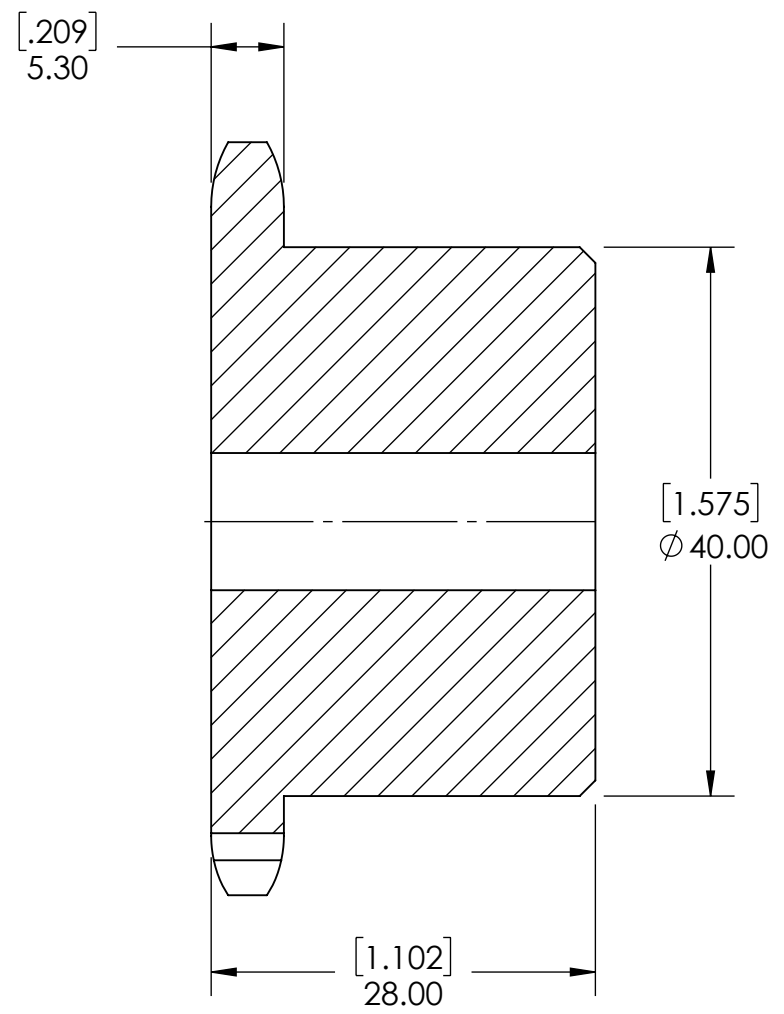
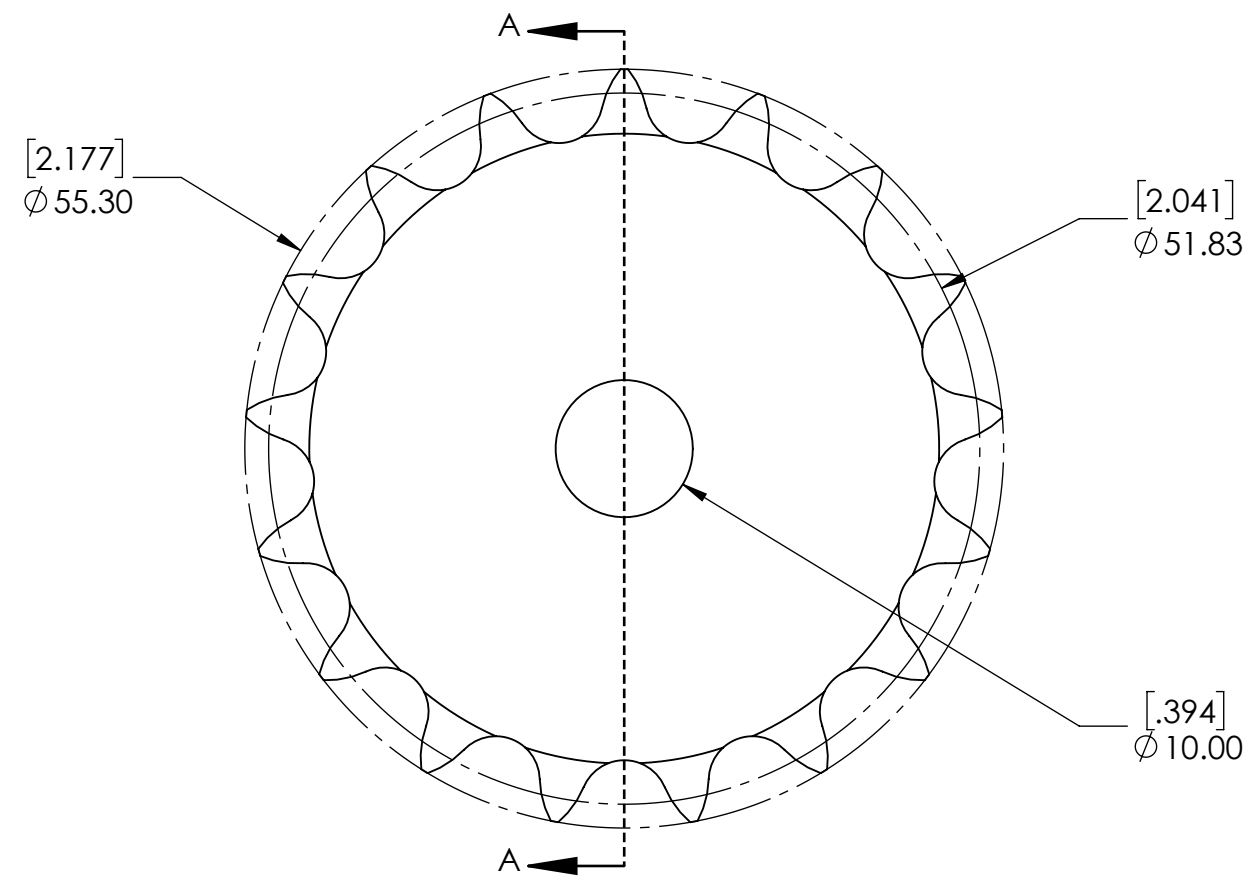


9 8 7 6 5 4 3 2 1

G
F
E
D
C
B
A

G
F
E
D
C
B
A



SECTION A-A

NOTES:
1. HARDENED TEETH.

SPROCKETS SPECIFICATIONS		WEIGHT		DATE		BY		REVISION DESCRIPTION		REV
UNITS	mm (INCH)	0.63 LBS								SCALE
CHAIN SIZE	06B	STEEL								1:1
PITCH	9.525 mm	BLACK OXIDE		07/16/2025						REV
INNER WIDTH	5.72 mm	DRAWN		EG						-
ROLLER DIA.	6.35 mm	CHECKED		EG						
TOOTH WIDTH	5.30 mm	APPROVED								
NUMBER OF TEETH	17	THIRD ANGLE PROJECTION								
HUB STYLE	B	DWG. NO.								
BORE TYPE	PLAIN BORE	PTI		PROPRIETARY AND CONFIDENTIAL						
BORE NUMBER	N/A	ITEM DESCRIPTION:		06B-17BH						

9 8 7 6 5 4 3 2 1