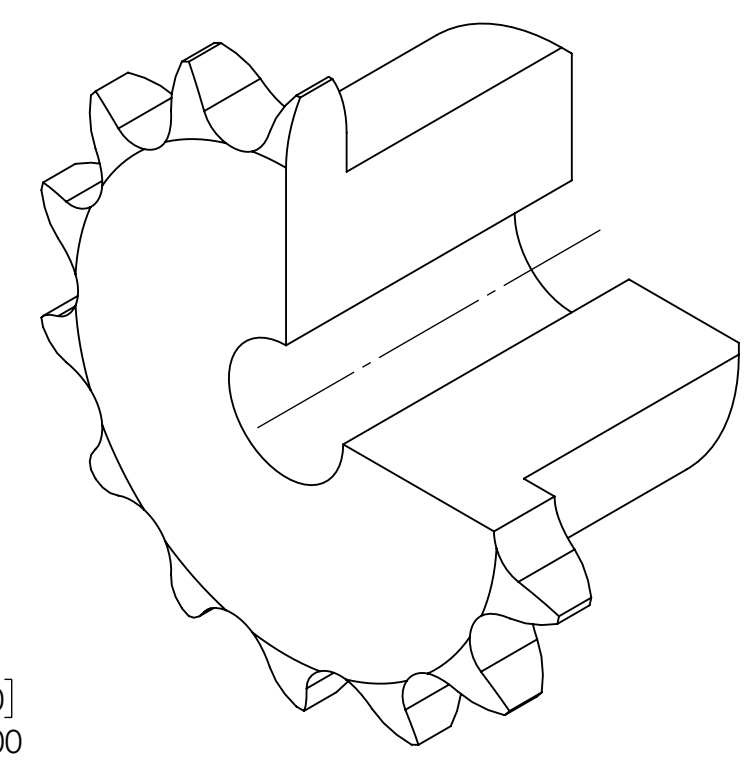
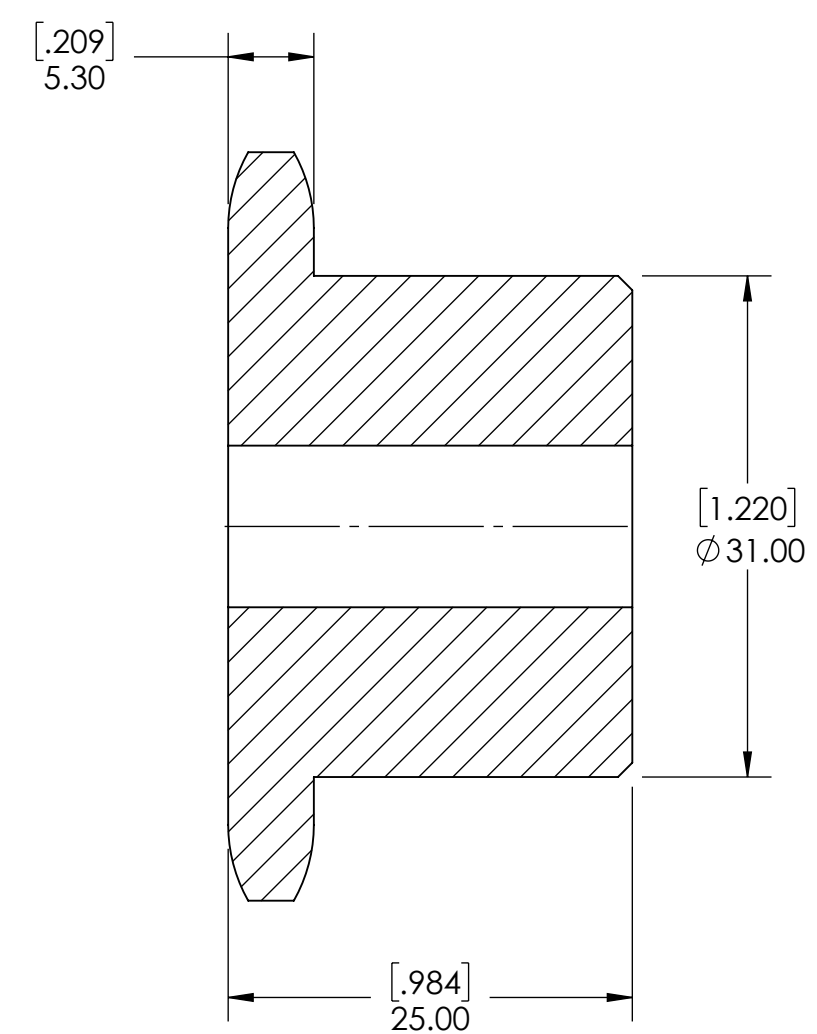
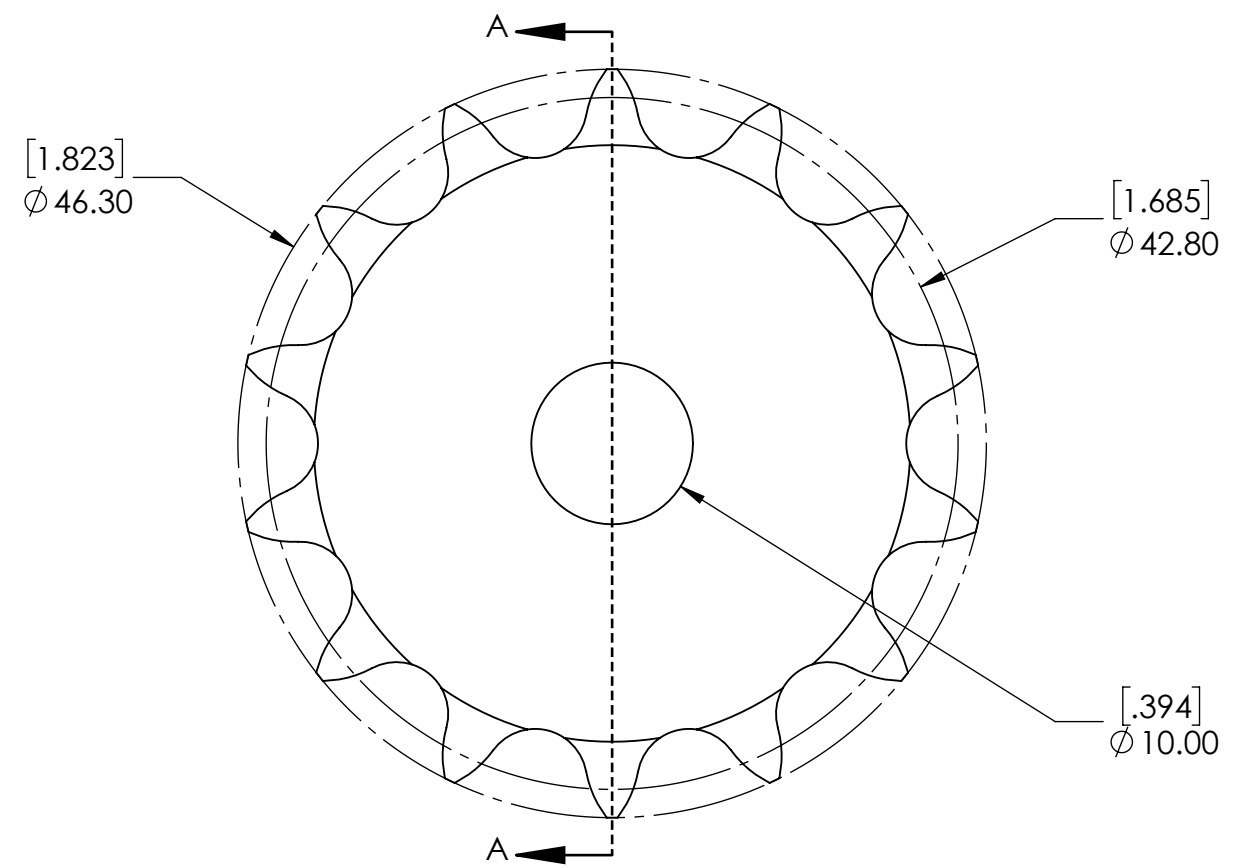


9 8 7 6 5 4 3 2 1

G
F
E
D
C
B
A

G
F
E
D
C
B
A



NOTES:
1. HARDENED TEETH.

SPROCKETS SPECIFICATIONS		WEIGHT		DATE		BY		REVISION DESCRIPTION		REV
UNITS	mm (INCH)	MATERIAL	STEEL							
CHAIN SIZE	06B	COATING	BLACK OXIDE							
PITCH	9.525 mm	DRAWN	SEC	07/16/2025						
INNER WIDTH	5.72 mm	CHECKED	EG	07/16/2025						
ROLLER DIA.	6.35 mm	APPROVED								
TOOTH WIDTH	5.30 mm									
NUMBER OF TEETH	14									
HUB STYLE	B									
BORE TYPE	PLAIN BORE									
BUSHING NUMBER	N/A									
		DWG. NO.		ITEM DESCRIPTION:						SCALE
		B PTI		06B-14BH						1:1
		PROPRIETARY AND CONFIDENTIAL								REV
		THE INFORMATION CONTAINED IN THIS DRAWING IS THE SOLE PROPERTY OF SOLVE IMG. ANY REPRODUCTION IN PART OR AS A WHOLE WITHOUT THE WRITTEN PERMISSION OF SOLVE IMG IS PROHIBITED.								-

9 8 7 6 5 4 3 2 1