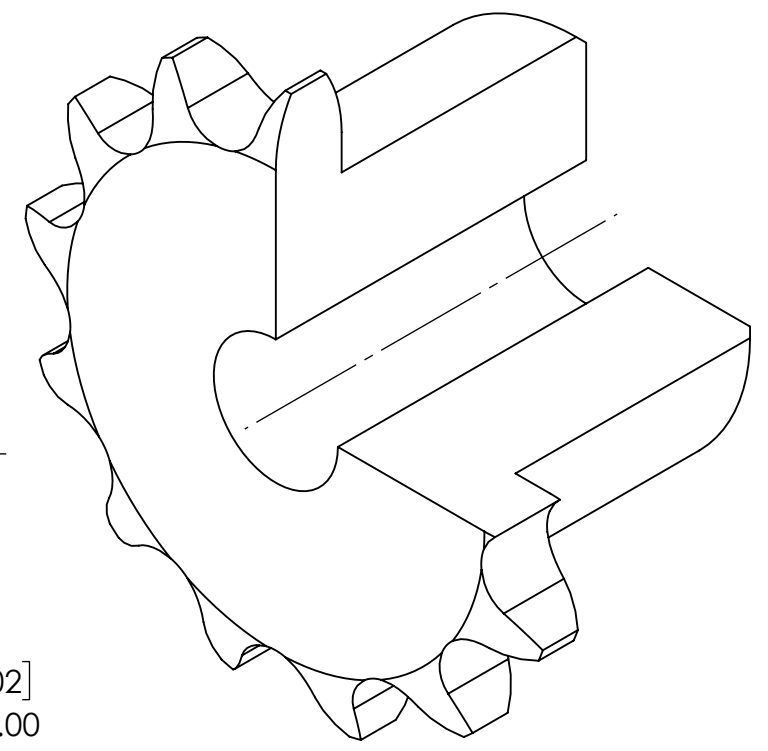
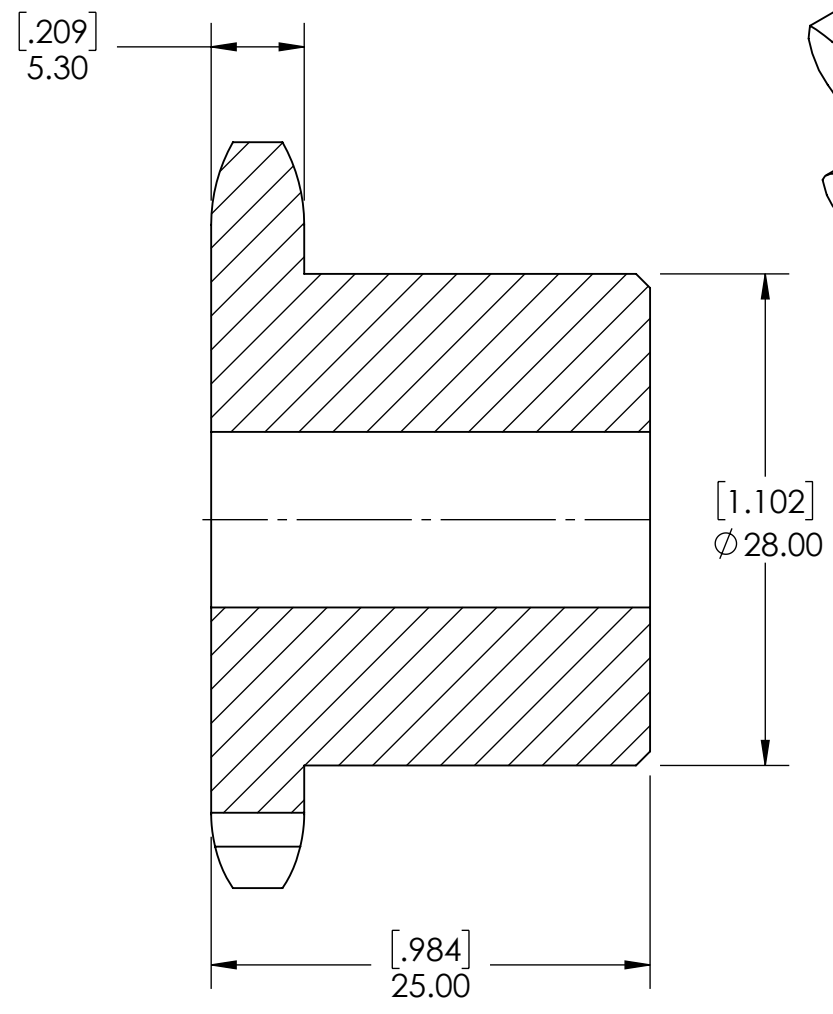
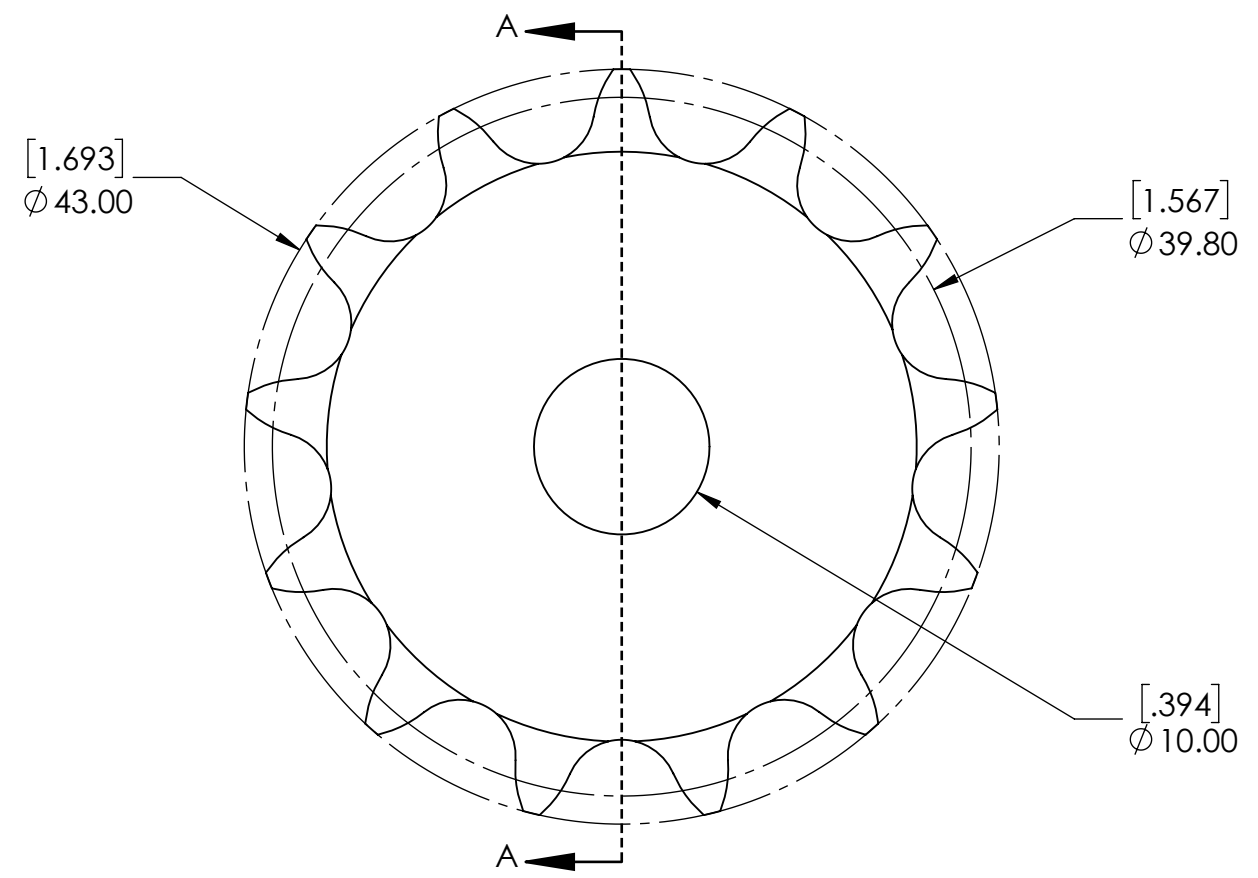


9 8 7 6 5 4 3 2 1

G
F
E
D
C
B
A

G
F
E
D
C
B
A



SECTION A-A

SPROCKETS SPECIFICATIONS		WEIGHT		0.28 LBS		
UNITS	mm (INCH)	MATERIAL	STAINLESS STEEL			
CHAIN SIZE	06B	COATING	N/A			
PITCH	9.525 mm	DRAWN	SEC	07/16/2025		
INNER WIDTH	5.72 mm	CHECKED	EG	07/16/2025		
ROLLER DIA.	6.35 mm	APPROVED				
TOOTH WIDTH	5.30 mm	THIRD ANGLE PROJECTION		DATE	BY	
NUMBER OF TEETH	13			REVISION DESCRIPTION		REV
HUB STYLE	B			ITEM DESCRIPTION:		SCALE
BORE TYPE	PLAIN BORE	DWG. NO.		06B-13BSS		1:1
BUSHING NUMBER	N/A	PTI <small>INDUSTRIAL MOTION GROUP</small>		<small>PROPRIETARY AND CONFIDENTIAL</small> <small>THE INFORMATION CONTAINED IN THIS DRAWING IS THE SOLE PROPERTY OF SOLVE IMG. ANY REPRODUCTION IN PART OR AS A WHOLE WITHOUT THE WRITTEN PERMISSION OF SOLVE IMG IS PROHIBITED.</small>		REV -

9 8 7 6 5 4 3 2 1