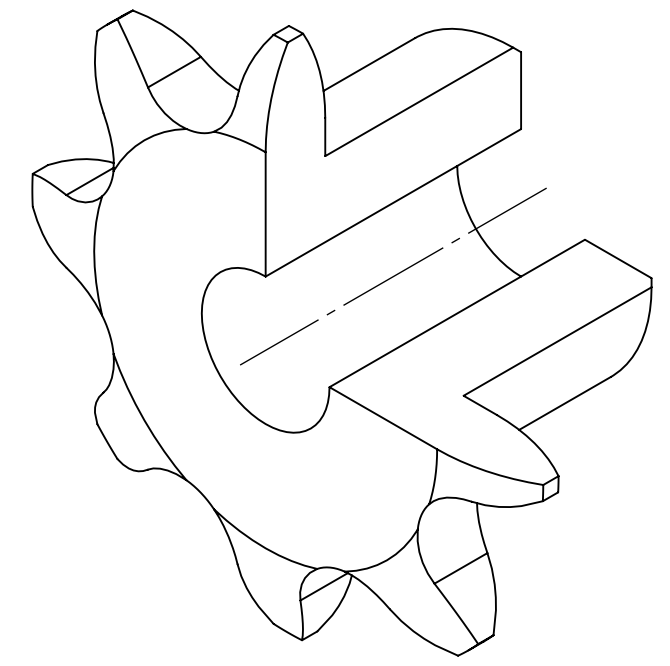
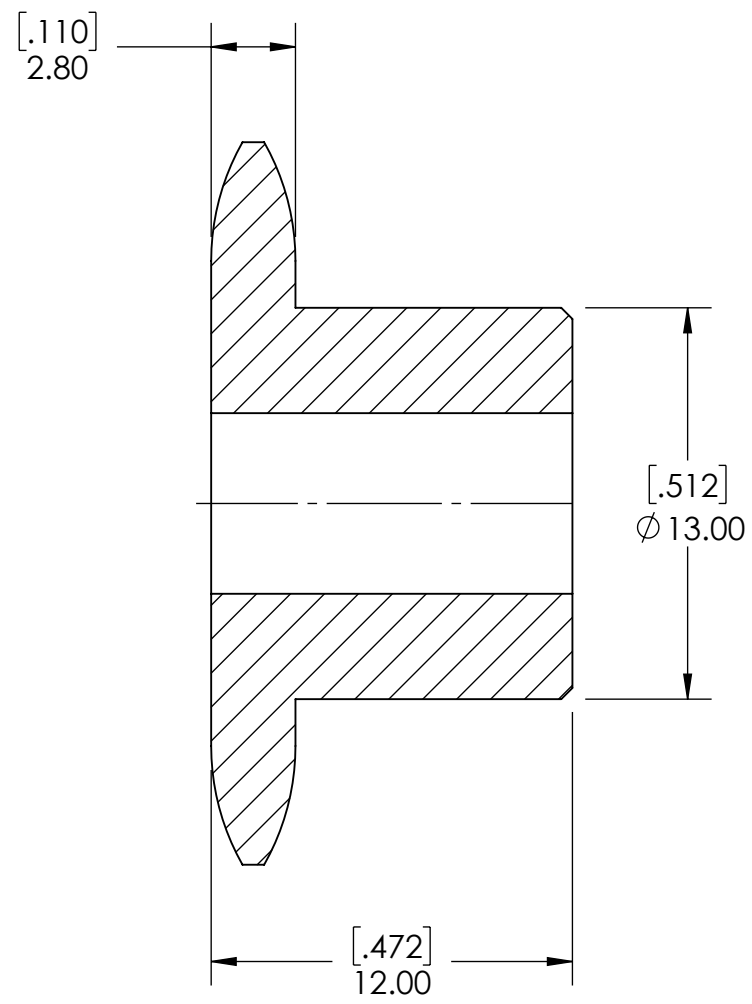
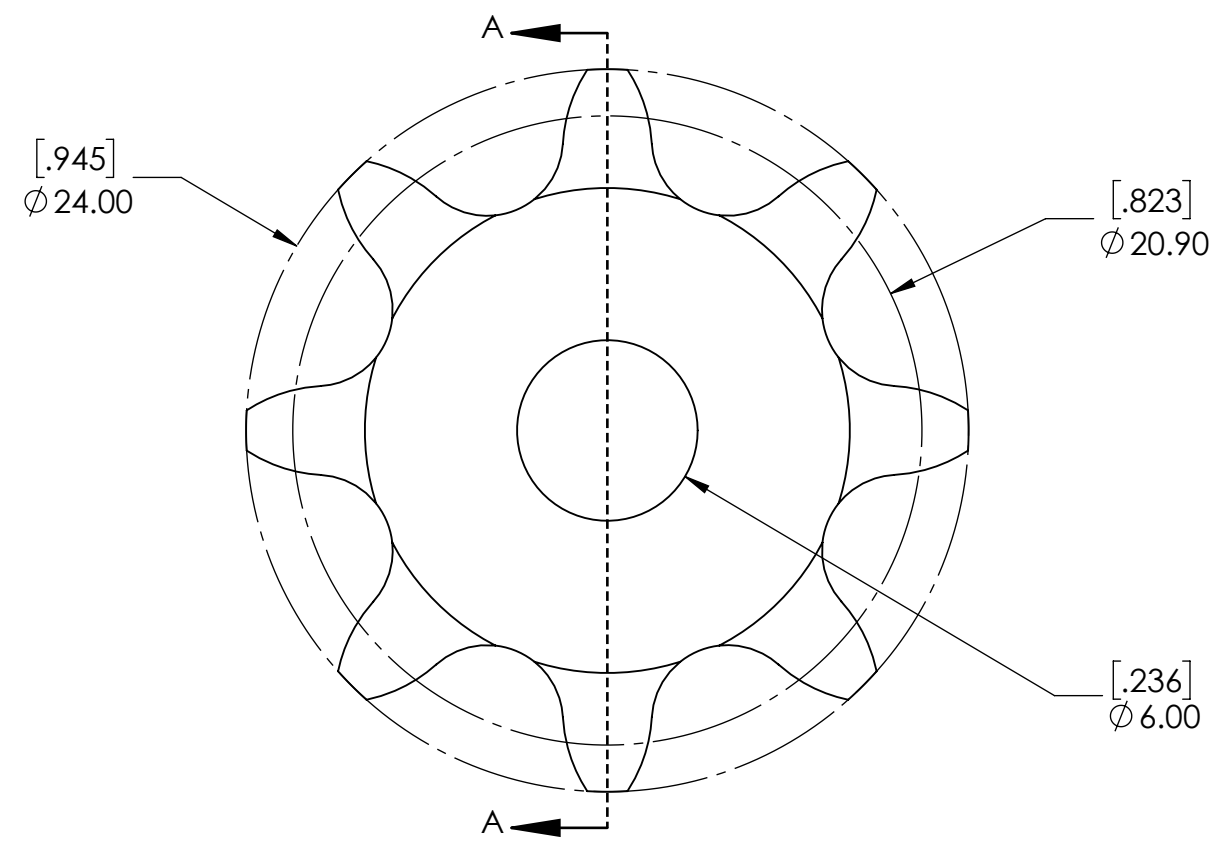


9 8 7 6 5 4 3 2 1

G
F
E
D
C
B
A

G
F
E
D
C
B
A



SECTION A-A

SPROCKETS SPECIFICATIONS		WEIGHT		0.03 LBS	
UNITS	mm (INCH)	MATERIAL	STEEL		
CHAIN SIZE	05B	COATING	BLACK OXIDE		
PITCH	8.00 mm	DRAWN	SEC	07/16/2025	
INNER WIDTH	3.00 mm	CHECKED	PT	07/17/2025	
ROLLER DIA.	5.00 mm	APPROVED			
TOOTH WIDTH	2.80 mm	THIRD ANGLE PROJECTION		DATE	BY
NUMBER OF TEETH	8			REVISION DESCRIPTION	
HUB STYLE	B			ITEM DESCRIPTION:	
BORE TYPE	PLAIN BORE			05B-8B	
BUSHING NUMBER	N/A			SCALE	1:1
		DWG. NO.		REV	-

9 8 7 6 5 4 3 2 1