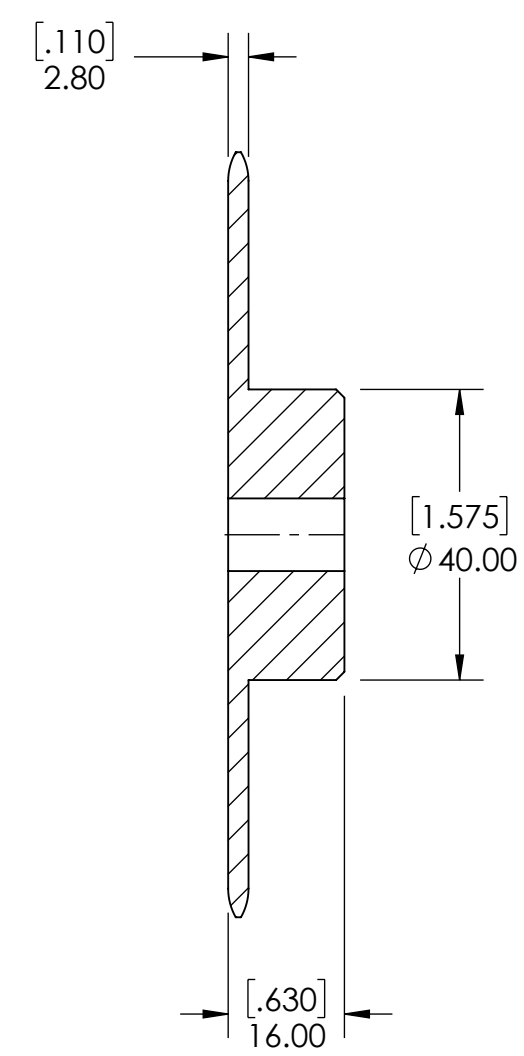
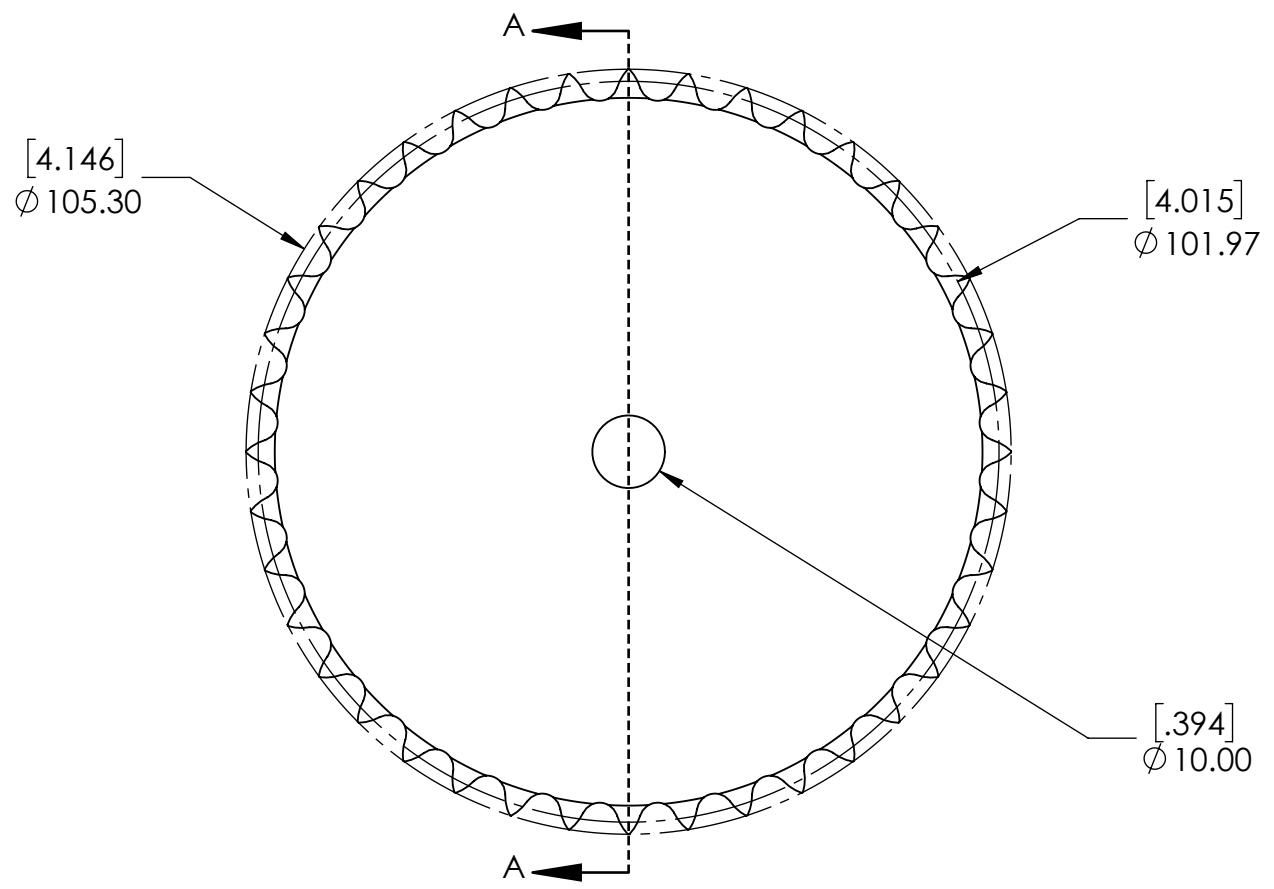


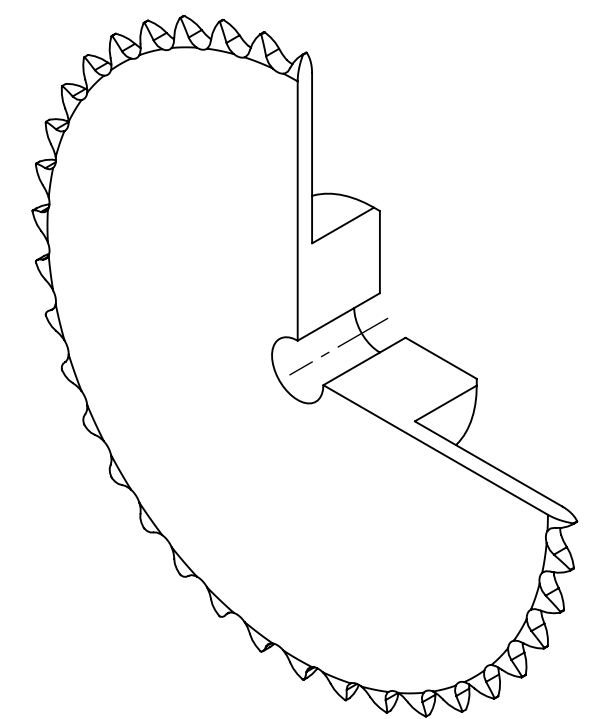
9 8 7 6 5 4 3 2 1

G  
F  
E  
D  
C  
B  
A

G  
F  
E  
D  
C  
B  
A



SECTION A-A



SPROCKETS SPECIFICATIONS		WEIGHT		DATE		BY		REVISION DESCRIPTION		REV
UNITS	mm (INCH)	0.64 LBS								SCALE
CHAIN SIZE	05B	MATERIAL	STEEL							1:1
PITCH	8.00 mm	COATING	BLACK OXIDE							REV
INNER WIDTH	3.00 mm	DRAWN	SEC	07/16/2025						-
ROLLER DIA.	5.00 mm	CHECKED	PT	07/17/2025						
TOOTH WIDTH	2.80 mm	APPROVED								
NUMBER OF TEETH	40	THIRD ANGLE PROJECTION								
HUB STYLE	B	DWG. NO.		PROPRIETARY AND CONFIDENTIAL		ITEM DESCRIPTION:				
BORE TYPE	PLAIN BORE	B		THE INFORMATION CONTAINED IN THIS DRAWING IS THE SOLE PROPERTY OF SOLVE IMG. ANY REPRODUCTION IN PART OR AS A WHOLE WITHOUT THE WRITTEN PERMISSION OF SOLVE IMG IS PROHIBITED.		05B-40B				
BUSHING NUMBER	N/A									

9 8 7 6 5 4 3 2 1