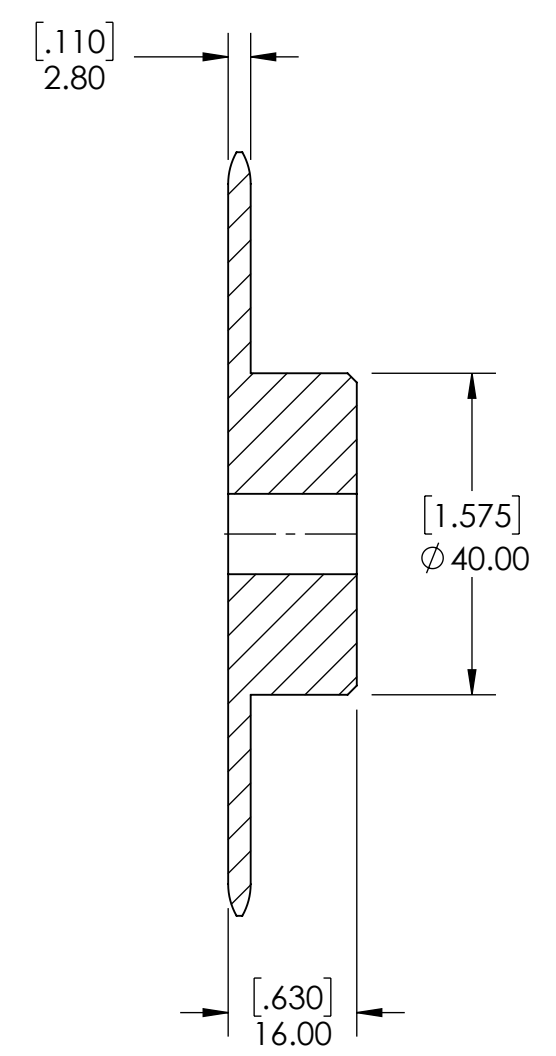
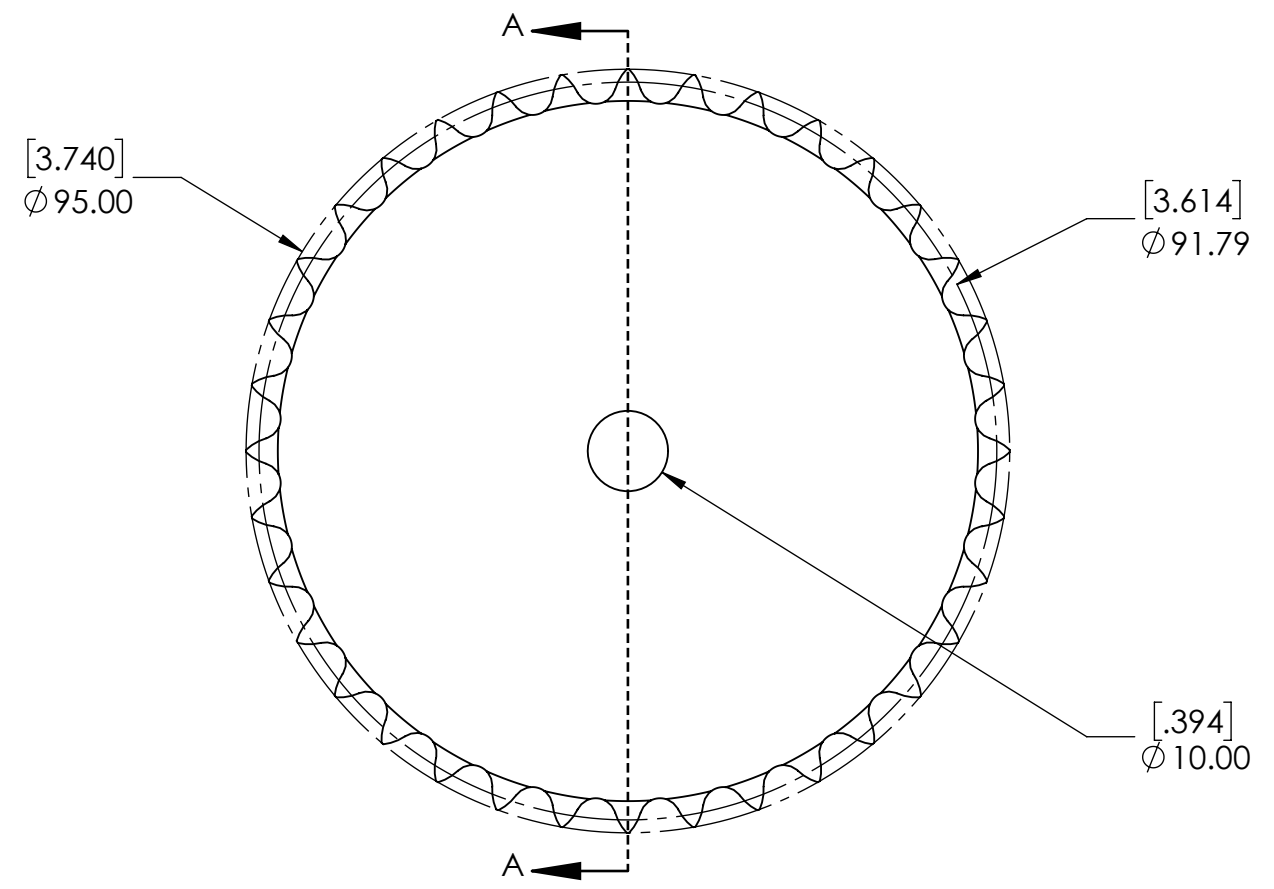
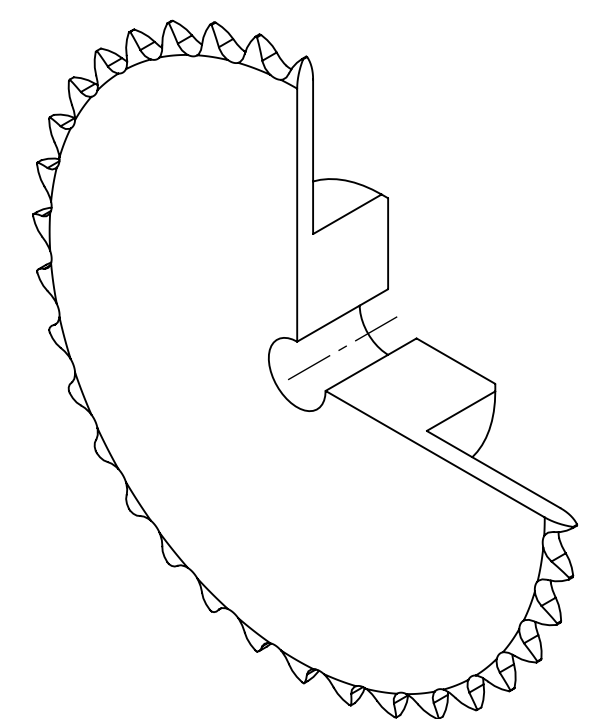


9 8 7 6 5 4 3 2 1

G F E D C B A



SECTION A-A



SPROCKETS SPECIFICATIONS		WEIGHT		DATE		BY		REVISION DESCRIPTION		REV
UNITS	mm (INCH)	0.57 LBS								SCALE
CHAIN SIZE	05B	STEEL								1:1
PITCH	8.00 mm	BLACK OXIDE		07/16/2025						REV
INNER WIDTH	3.00 mm	DRAWN SEC		07/17/2025						-
ROLLER DIA.	5.00 mm	CHECKED PT								
TOOTH WIDTH	2.80 mm	APPROVED								
NUMBER OF TEETH	36	THIRD ANGLE PROJECTION								
HUB STYLE	B	DWG. NO.								
BORE TYPE	PLAIN BORE	SIZE								
BUSHING NUMBER	N/A	PTI								
		PROPRIETARY AND CONFIDENTIAL								
		THE INFORMATION CONTAINED IN THIS DRAWING IS THE SOLE PROPERTY OF SOLVE IMG. ANY REPRODUCTION IN PART OR AS A WHOLE WITHOUT THE WRITTEN PERMISSION OF SOLVE IMG IS PROHIBITED.								
		ITEM DESCRIPTION:								
		05B-36B								

9 8 7 6 5 4 3 2 1

A B C D E F G