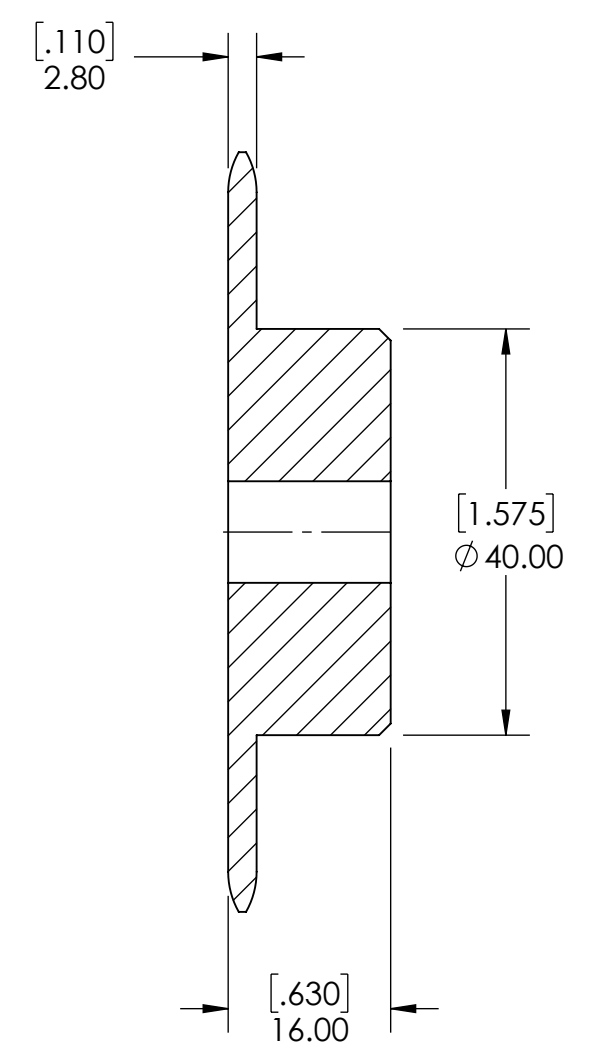
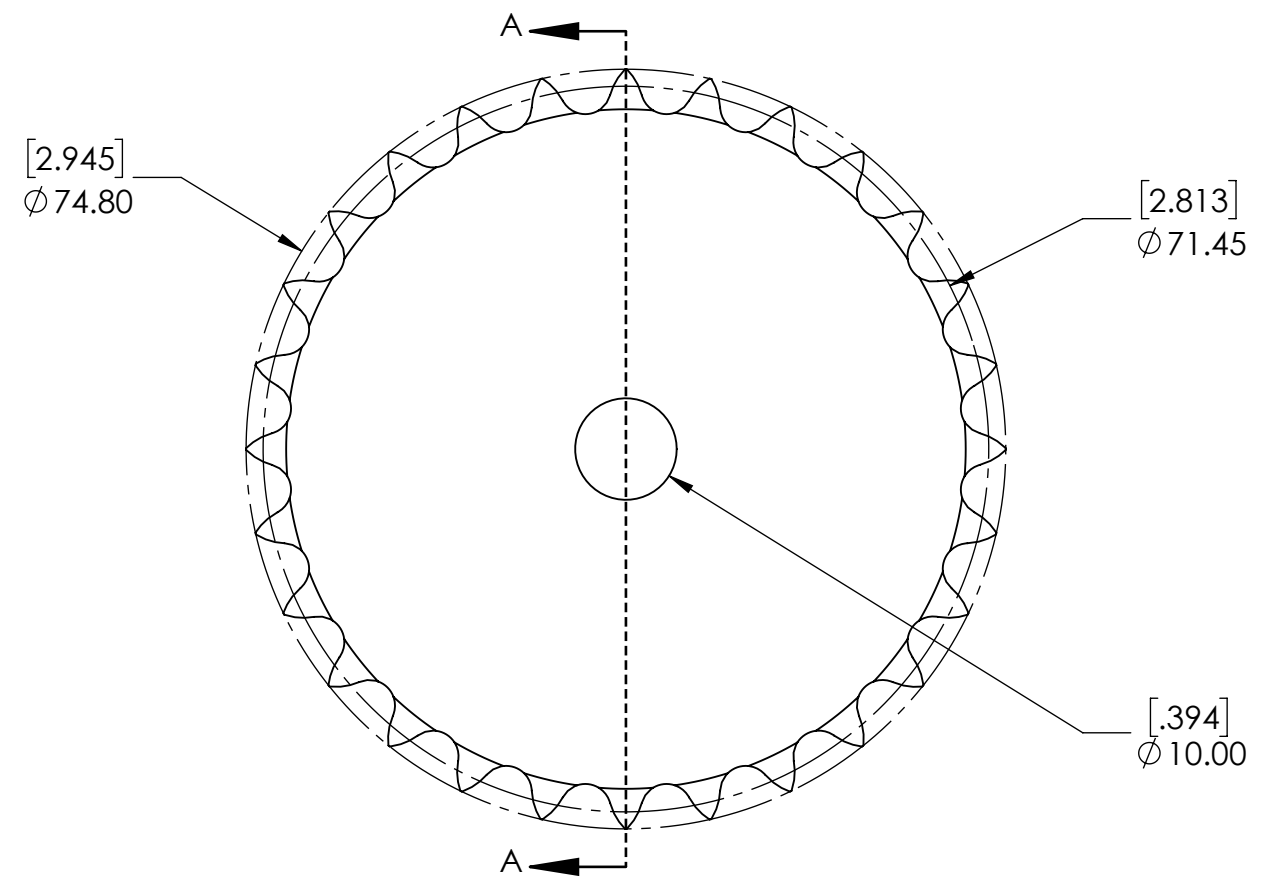


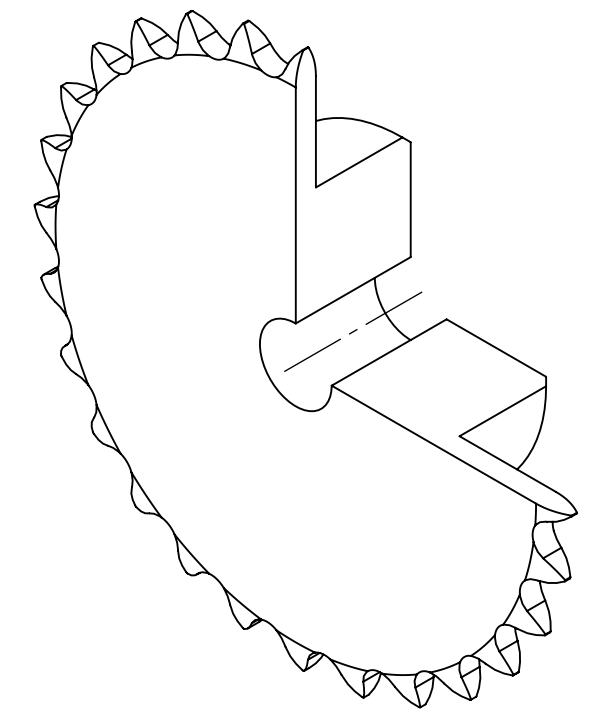
9 8 7 6 5 4 3 2 1

G
F
E
D
C
B
A

G
F
E
D
C
B
A



SECTION A-A



SPROCKETS SPECIFICATIONS		WEIGHT		0.45 LBS	
UNITS	mm (INCH)	MATERIAL	STEEL		
CHAIN SIZE	05B	COATING	BLACK OXIDE		
PITCH	8.00 mm	DRAWN	SEC	07/16/2025	
INNER WIDTH	3.00 mm	CHECKED	PT	08/11/2025	
ROLLER DIA.	5.00 mm	APPROVED			
TOOTH WIDTH	2.80 mm	DATE			
NUMBER OF TEETH	28	ITEM DESCRIPTION:			REV
HUB STYLE	B	05B-28B			SCALE
BORE TYPE	PLAIN BORE				1:1
BUSHING NUMBER	N/A				REV
		DWG. NO.			
		 PTI			
		<small>PROPRIETARY AND CONFIDENTIAL THE INFORMATION CONTAINED IN THIS DRAWING IS THE SOLE PROPERTY OF SOLVE IMG. ANY REPRODUCTION IN PART OR AS A WHOLE WITHOUT THE WRITTEN PERMISSION OF SOLVE IMG IS PROHIBITED.</small>			

9 8 7 6 5 4 3 2 1