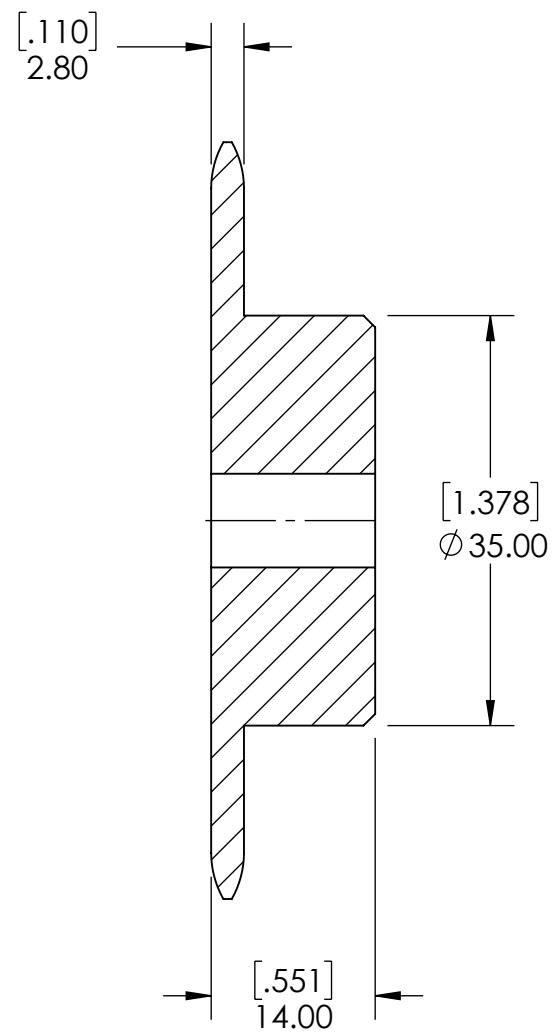
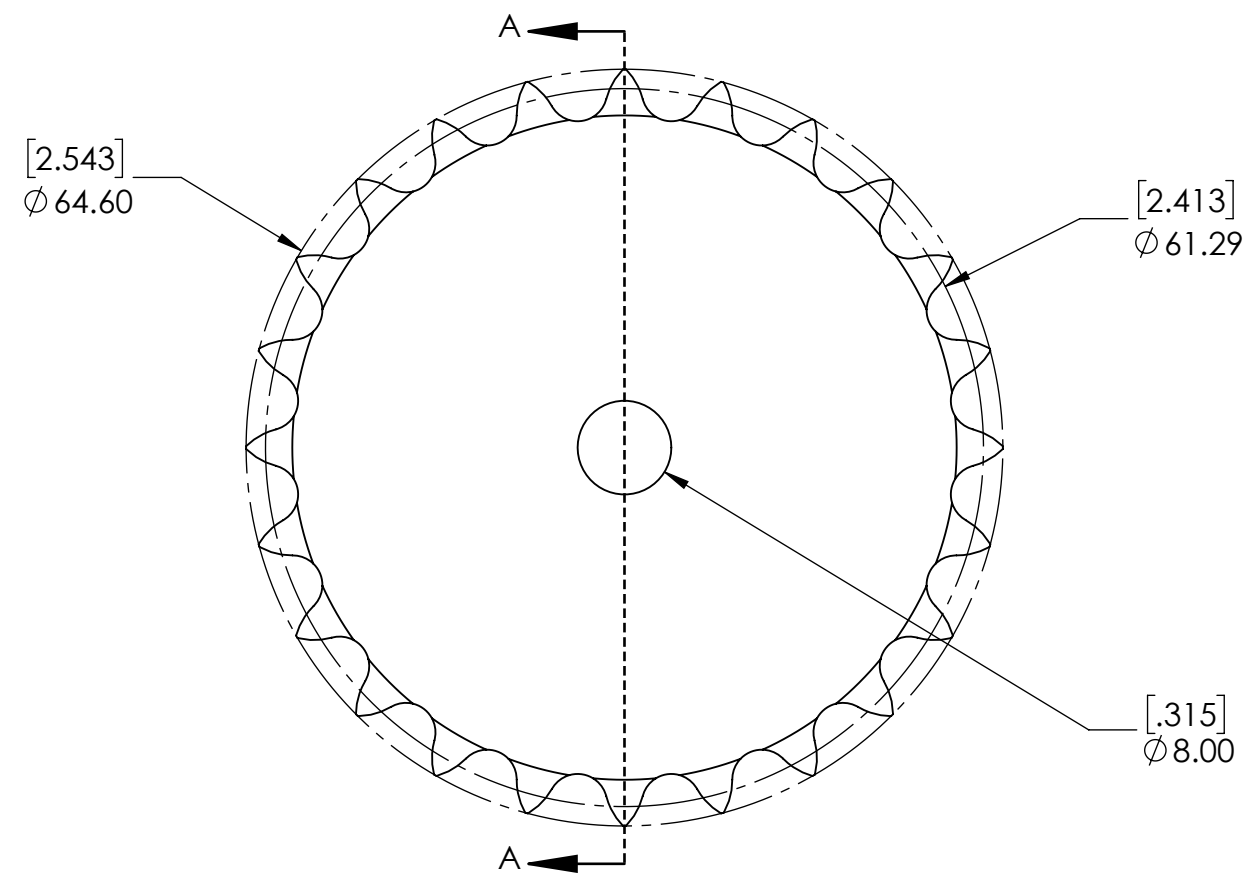


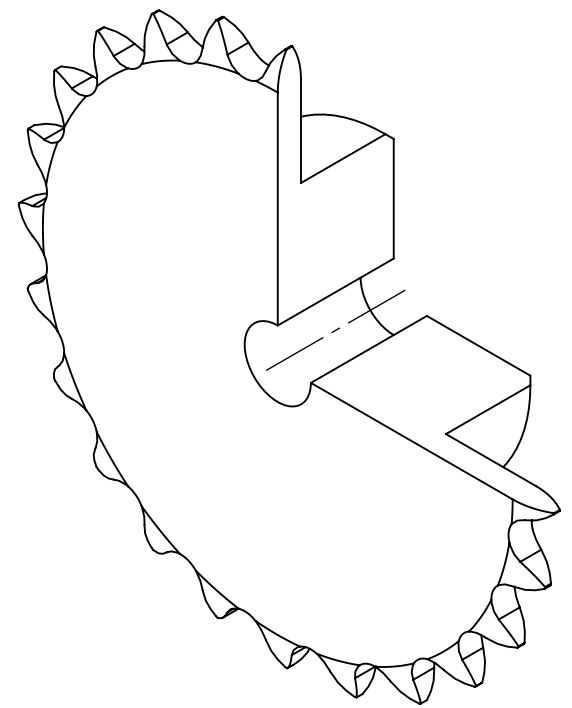
9 8 7 6 5 4 3 2 1

G
F
E
D
C
B
A

G
F
E
D
C
B
A



SECTION A-A



SPROCKETS SPECIFICATIONS		WEIGHT		0.31 LBS		
UNITS	mm (INCH)	MATERIAL	STEEL			
CHAIN SIZE	05B	COATING	BLACK OXIDE			
PITCH	8.00 mm	DRAWN	SEC	07/16/2025		
INNER WIDTH	3.00 mm	CHECKED	PT	08/11/2025		
ROLLER DIA.	5.00 mm	APPROVED				
TOOTH WIDTH	2.80 mm	THIRD ANGLE PROJECTION		DATE	BY	
NUMBER OF TEETH	24			REVISION DESCRIPTION		REV
HUB STYLE	B			ITEM DESCRIPTION:		SCALE
BORE TYPE	PLAIN BORE	DWG. NO.		05B-24B		1:1
BUSHING NUMBER	N/A	PROPRIETARY AND CONFIDENTIAL <small>THE INFORMATION CONTAINED IN THIS DRAWING IS THE SOLE PROPERTY OF SOLVE IMG. ANY REPRODUCTION IN PART OR AS A WHOLE WITHOUT THE WRITTEN PERMISSION OF SOLVE IMG IS PROHIBITED.</small>				REV
						-

9 8 7 6 5 4 3 2 1