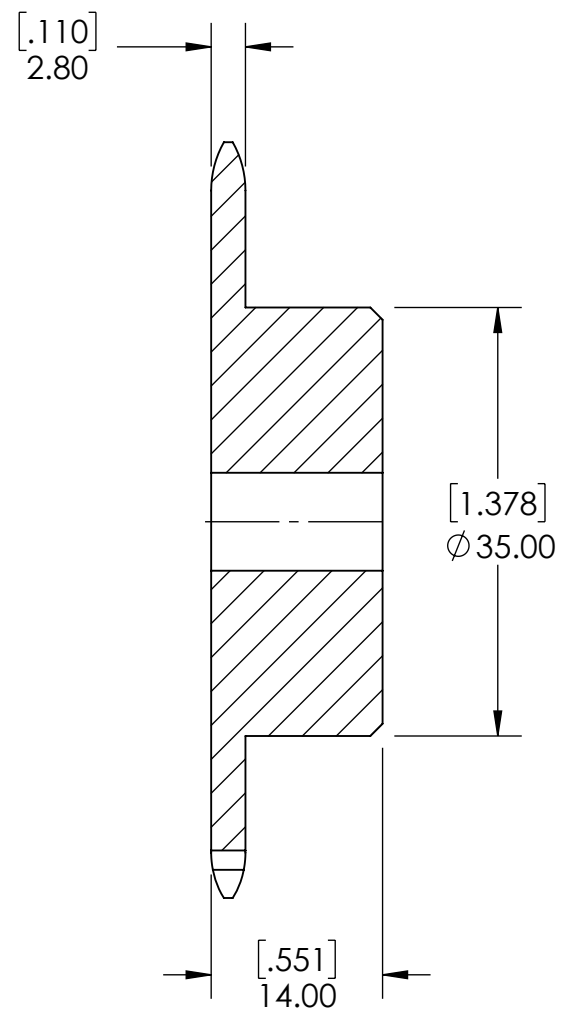
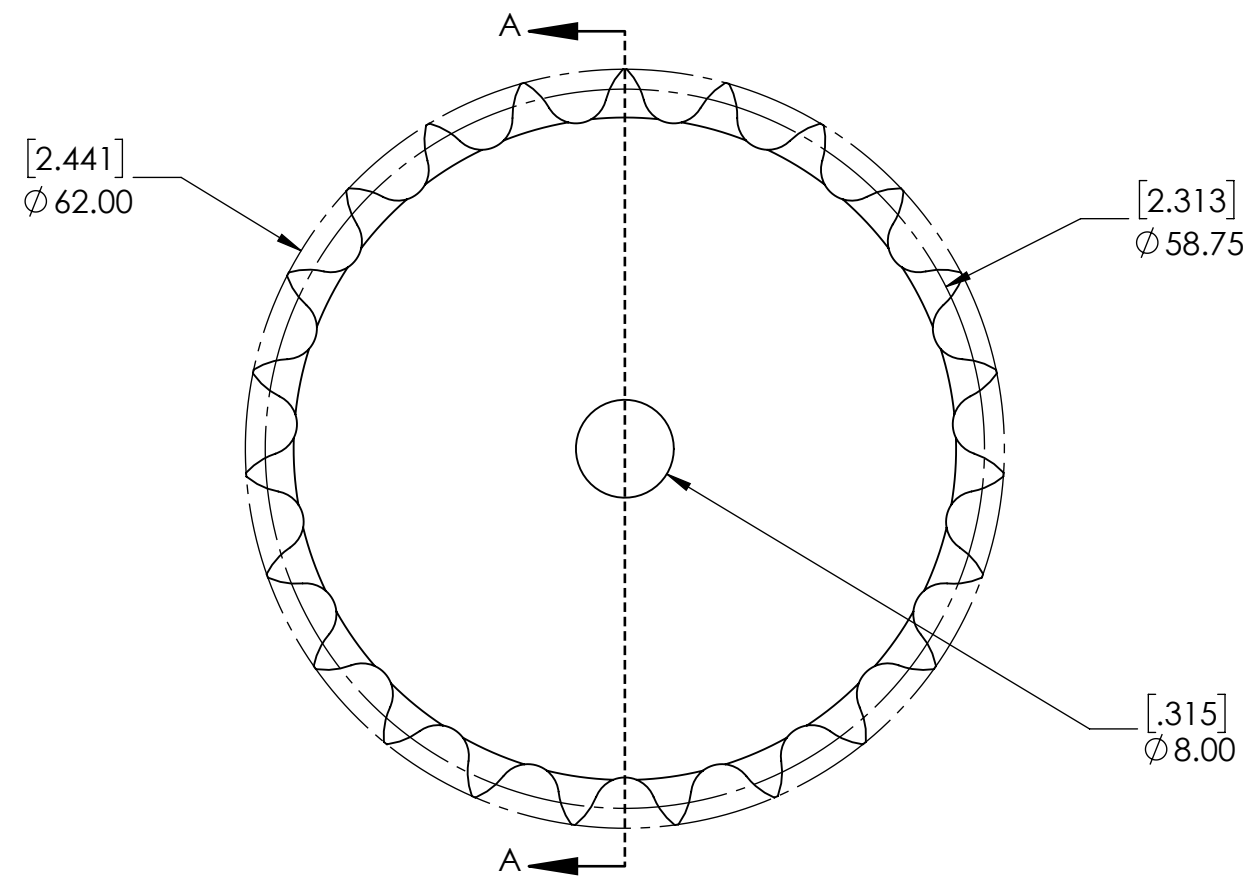


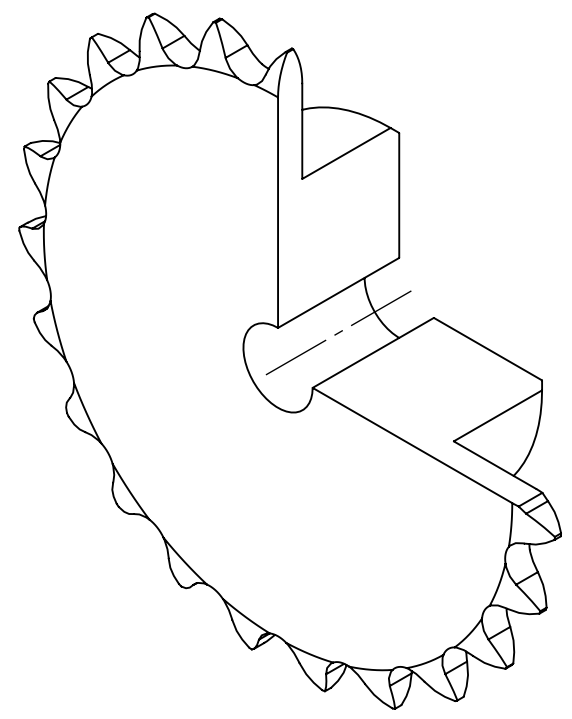
9 8 7 6 5 4 3 2 1

G  
F  
E  
D  
C  
B  
A

G  
F  
E  
D  
C  
B  
A



SECTION A-A



SPROCKETS SPECIFICATIONS		WEIGHT		0.29 LBS	
UNITS	mm (INCH)	MATERIAL	STEEL		
CHAIN SIZE	05B	COATING	BLACK OXIDE		
PITCH	8.00 mm	DRAWN	SEC	07/16/2025	
INNER WIDTH	3.00 mm	CHECKED			
ROLLER DIA.	5.00 mm	APPROVED			
TOOTH WIDTH	2.80 mm				
NUMBER OF TEETH	23				
HUB STYLE	B				
BORE TYPE	PLAIN BORE				
BUSHING NUMBER	N/A				

 	DATE	BY	REVISION DESCRIPTION	REV
DWG. NO.	ITEM DESCRIPTION:			SCALE
	05B-23B			1:1
				REV
				-

9 8 7 6 5 4 3 2 1