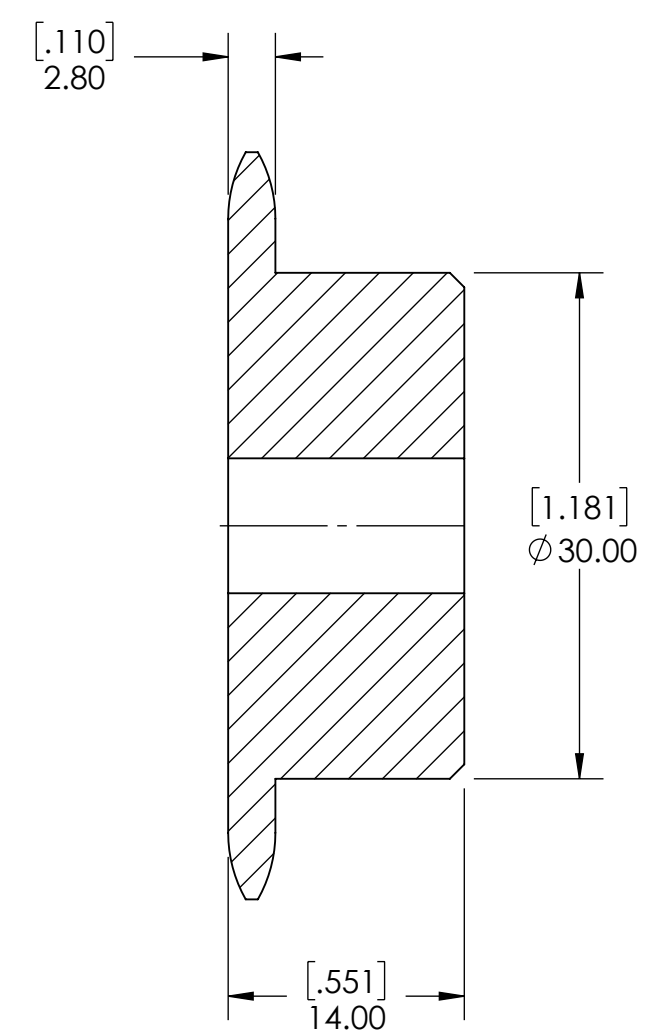
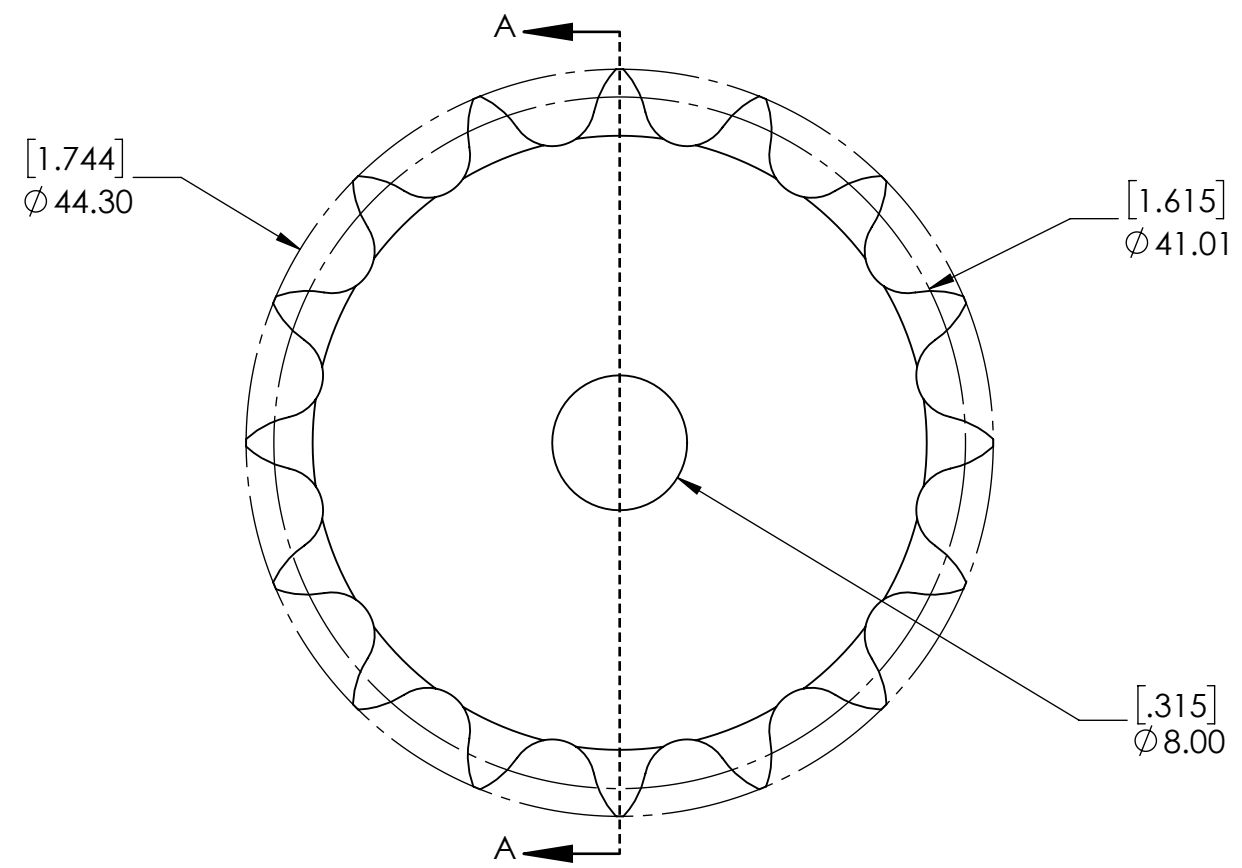


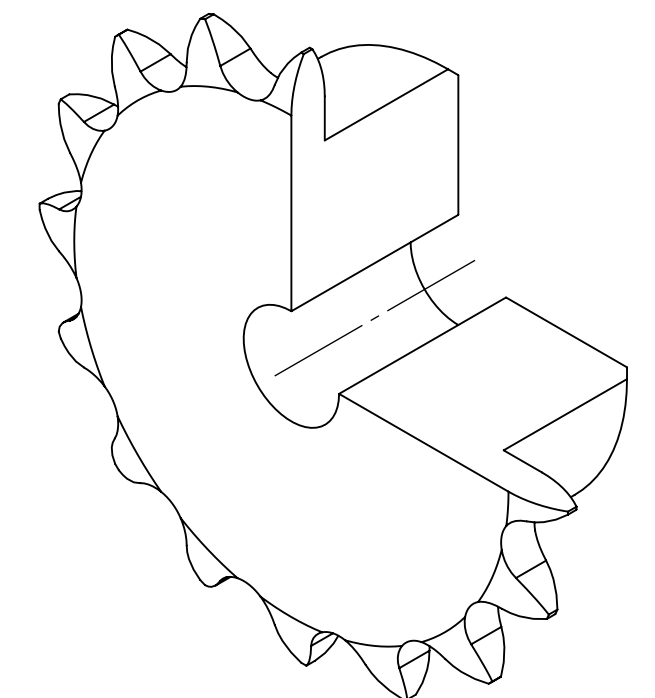
9 8 7 6 5 4 3 2 1

G
F
E
D
C
B
A

G
F
E
D
C
B
A



SECTION A-A



SPROCKETS SPECIFICATIONS		WEIGHT		DATE		BY		REVISION DESCRIPTION		REV
UNITS	mm (INCH)	0.18 LBS								
CHAIN SIZE	05B	MATERIAL	STEEL							
PITCH	8.00 mm	COATING	BLACK OXIDE	DRAWN	SEC	07/16/2025				
INNER WIDTH	3.00 mm	CHECKED	PT	08/11/2025						
ROLLER DIA.	5.00 mm	APPROVED								
TOOTH WIDTH	2.80 mm	THIRD ANGLE PROJECTION								
NUMBER OF TEETH	16	PTI								
HUB STYLE	B	DWG. NO.								
BORE TYPE	PLAIN BORE	PROPRIETARY AND CONFIDENTIAL								
BUSHING NUMBER	N/A	THE INFORMATION CONTAINED IN THIS DRAWING IS THE SOLE PROPERTY OF SOLVE IMG. ANY REPRODUCTION IN PART OR AS A WHOLE WITHOUT THE WRITTEN PERMISSION OF SOLVE IMG IS PROHIBITED.								
				ITEM DESCRIPTION:		05B-16B				SCALE
										1:1
										REV
										-

9 8 7 6 5 4 3 2 1