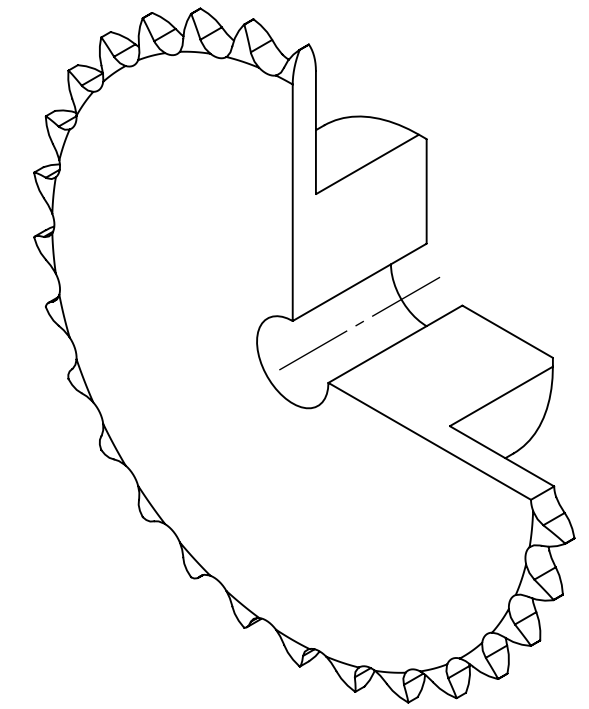
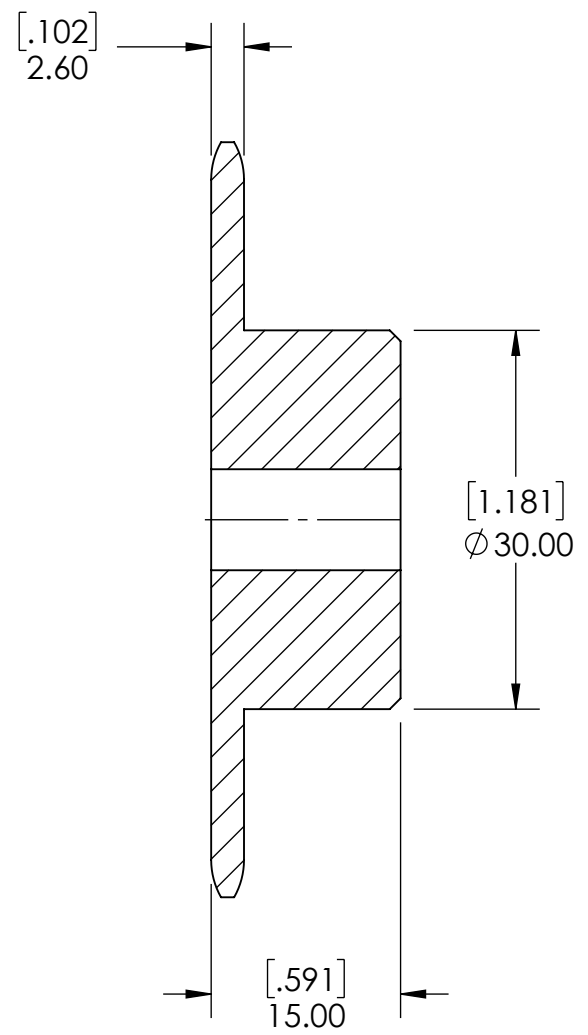
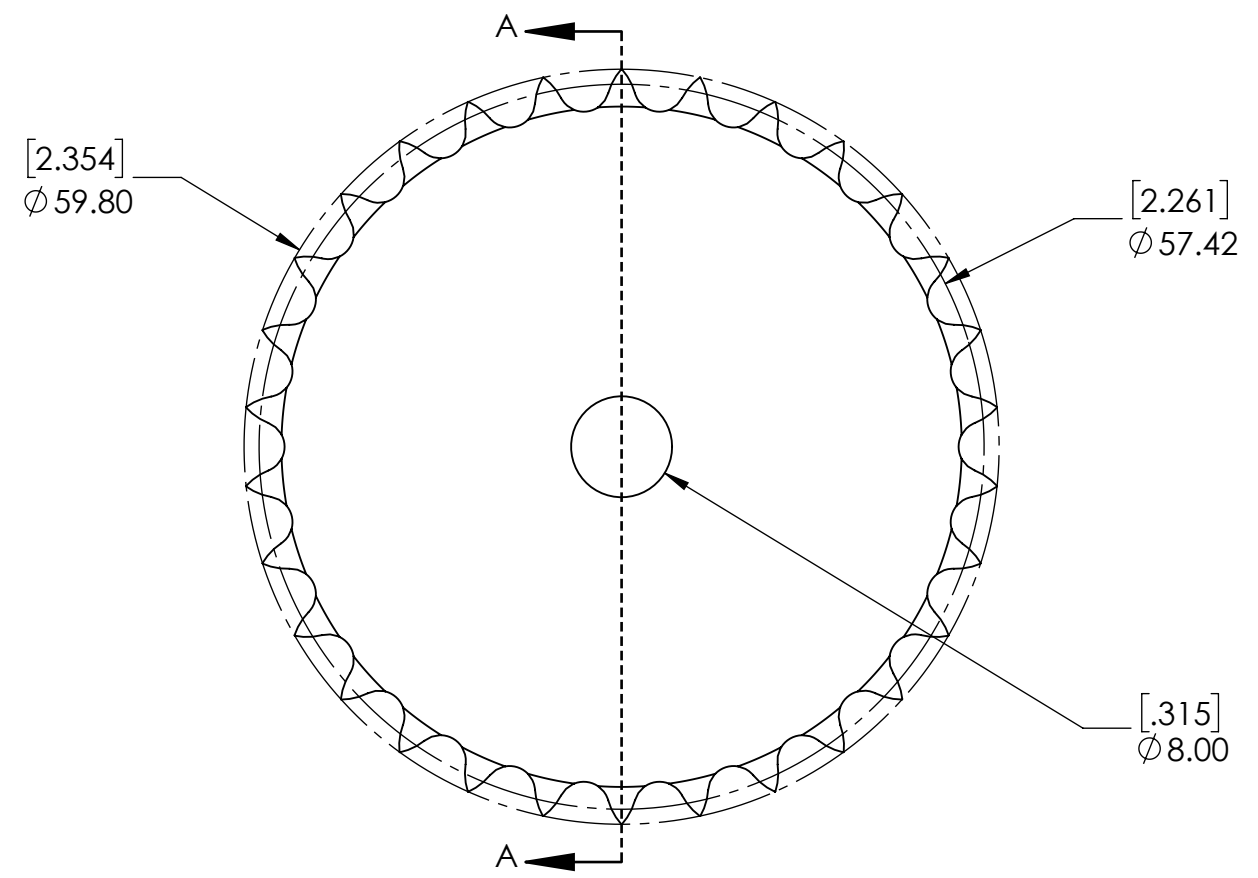


9 8 7 6 5 4 3 2 1

G F E D C B A



SECTION A-A

SPROCKETS SPECIFICATIONS		WEIGHT		DATE		BY		REVISION DESCRIPTION		REV
UNITS	mm (INCH)	0.25 LBS								
CHAIN SIZE	04B	STEEL								
PITCH	6.00 mm	BLACK OXIDE		DRAWN		SEC		07/16/2025		
INNER WIDTH	2.80 mm			CHECKED		DH		07/17/2025		
ROLLER DIA.	4.00 mm			APPROVED						
TOOTH WIDTH	2.60 mm									
NUMBER OF TEETH	30									
HUB STYLE	B			DATE		BY		REVISION DESCRIPTION		REV
BORE TYPE	PLAIN BORE			ITEM DESCRIPTION:						SCALE
BUSHING NUMBER	N/A			04B-30B						1:1
		DWG. NO.		PROPRIETARY AND CONFIDENTIAL						REV
				<small>THE INFORMATION CONTAINED IN THIS DRAWING IS THE SOLE PROPERTY OF SOLVE IMG. ANY REPRODUCTION IN PART OR AS A WHOLE WITHOUT THE WRITTEN PERMISSION OF SOLVE IMG IS PROHIBITED.</small>						-

9 8 7 6 5 4 3 2 1

A