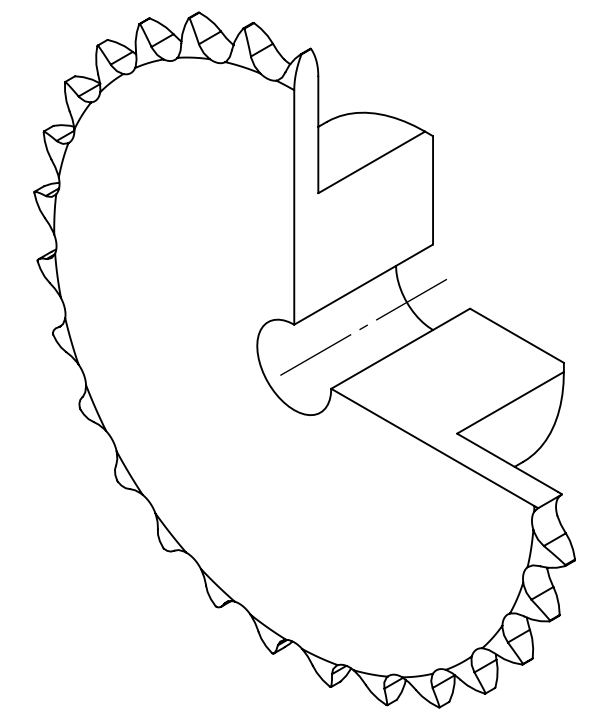
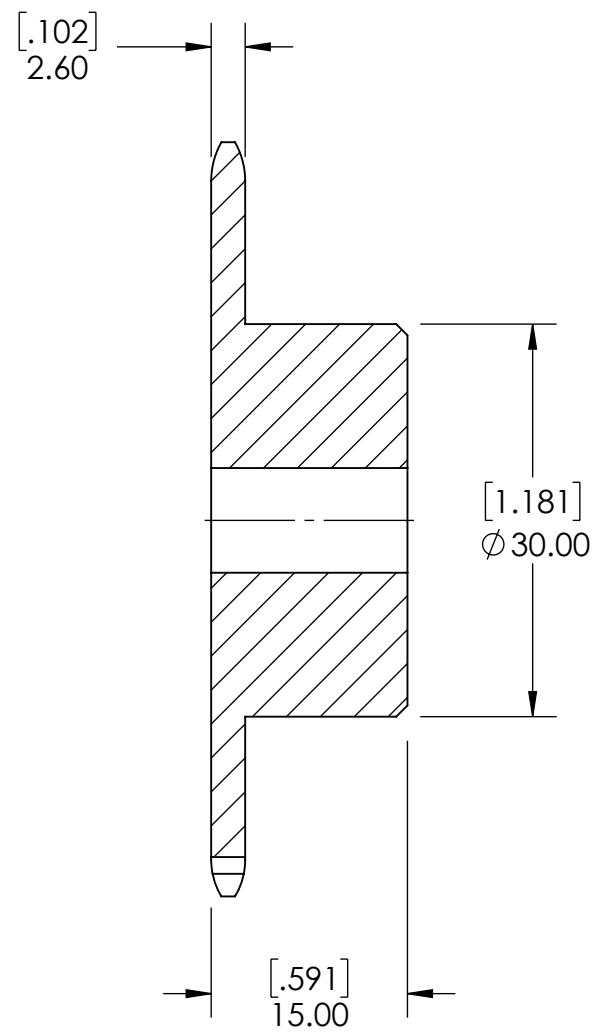
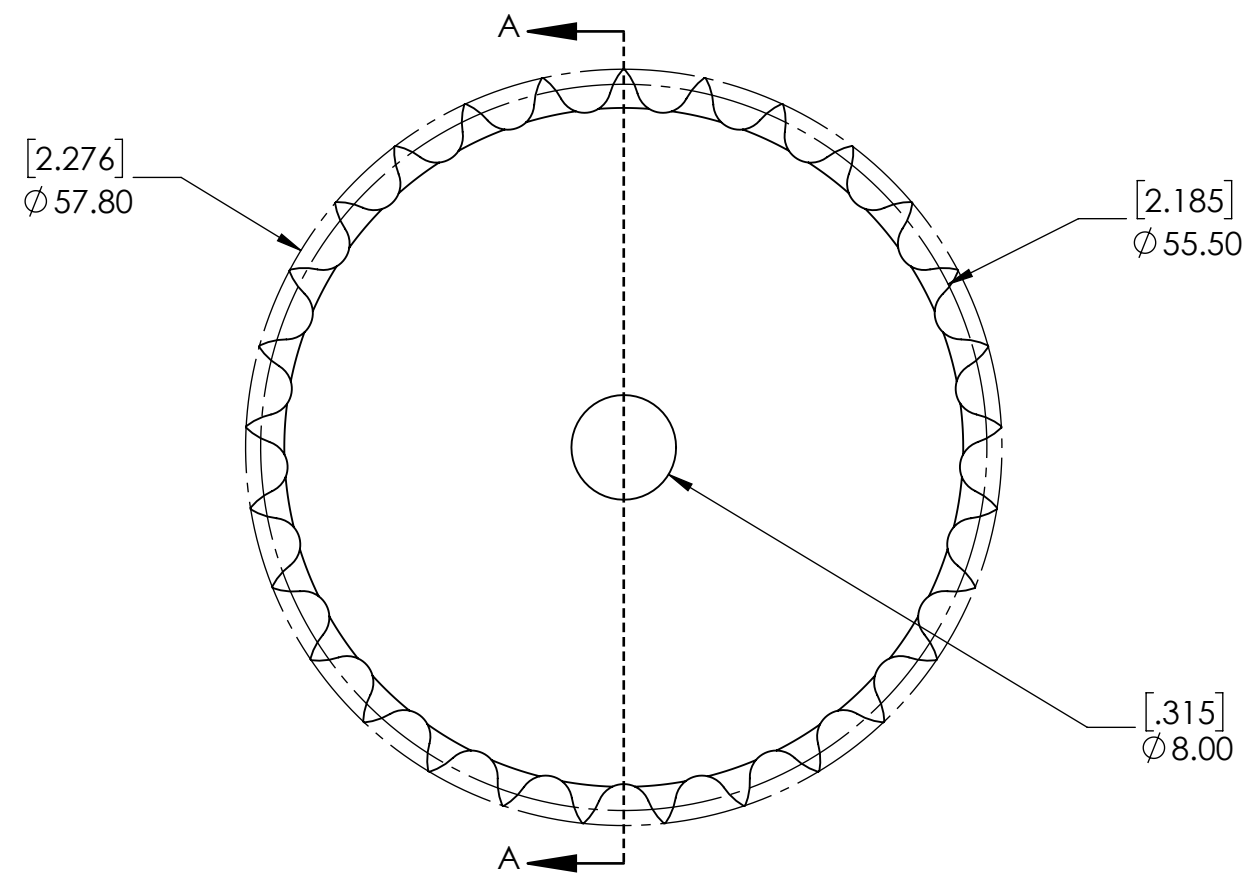


9 8 7 6 5 4 3 2 1

G  
F  
E  
D  
C  
B  
A

G  
F  
E  
D  
C  
B  
A



SECTION A-A

SPROCKETS SPECIFICATIONS		WEIGHT		DATE		BY		REVISION DESCRIPTION		REV
UNITS	mm (INCH)	0.24 LBS								
CHAIN SIZE	04B	STEEL								
PITCH	6.00 mm	BLACK OXIDE		SEC 07/28/2025						
INNER WIDTH	2.80 mm	DRAWN		DH		08/14/2025				
ROLLER DIA.	4.00 mm	CHECKED		DH		08/14/2025				
TOOTH WIDTH	2.60 mm	APPROVED								
NUMBER OF TEETH	29	THIRD ANGLE PROJECTION								
HUB STYLE	B	DATE								
BORE TYPE	PLAIN BORE	BY								
BUSHING NUMBER	N/A	REVISION DESCRIPTION								
		DWG. NO.		04B-29B						
		PROPRIETARY AND CONFIDENTIAL								
		THE INFORMATION CONTAINED IN THIS DRAWING IS THE SOLE PROPERTY OF SOLVE IMG. ANY REPRODUCTION IN PART OR AS A WHOLE WITHOUT THE WRITTEN PERMISSION OF SOLVE IMG IS PROHIBITED.								
		SCALE		1:1						
		REV		-						

9 8 7 6 5 4 3 2 1