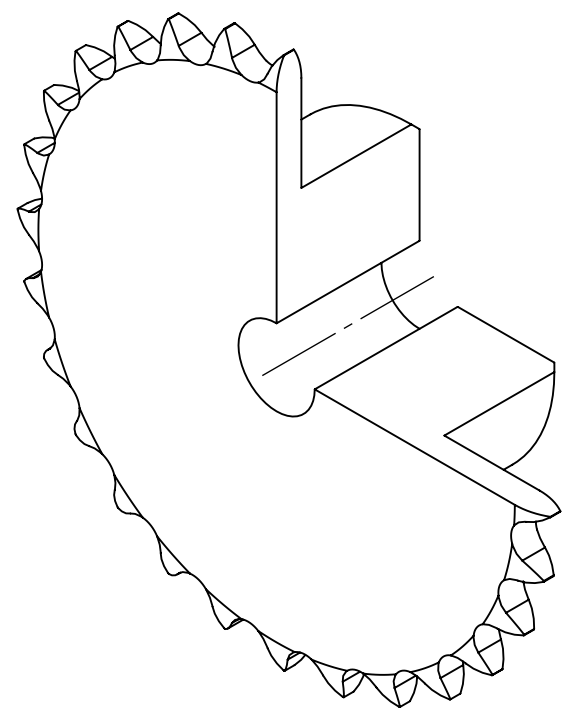
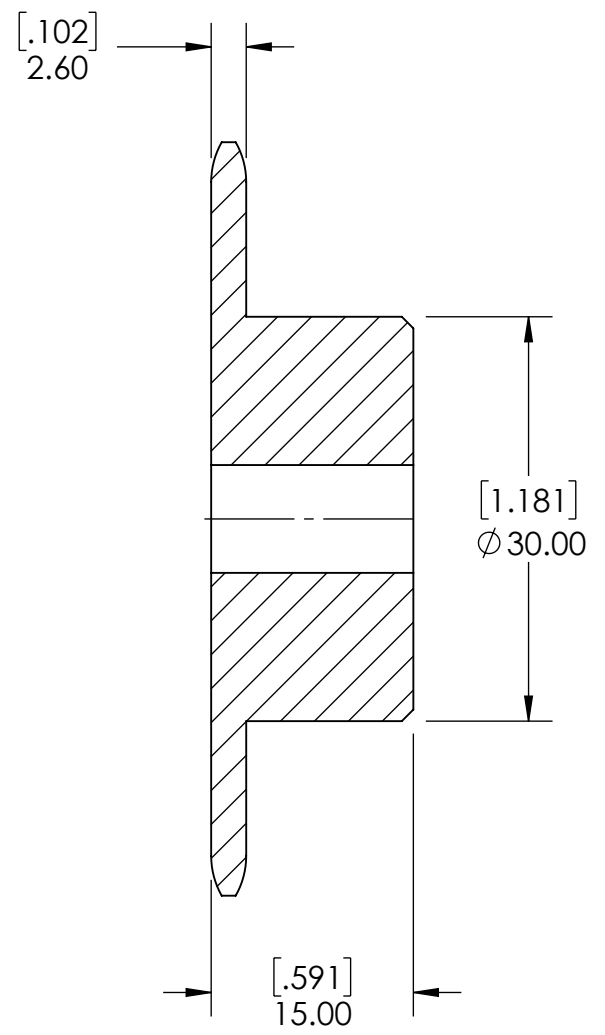
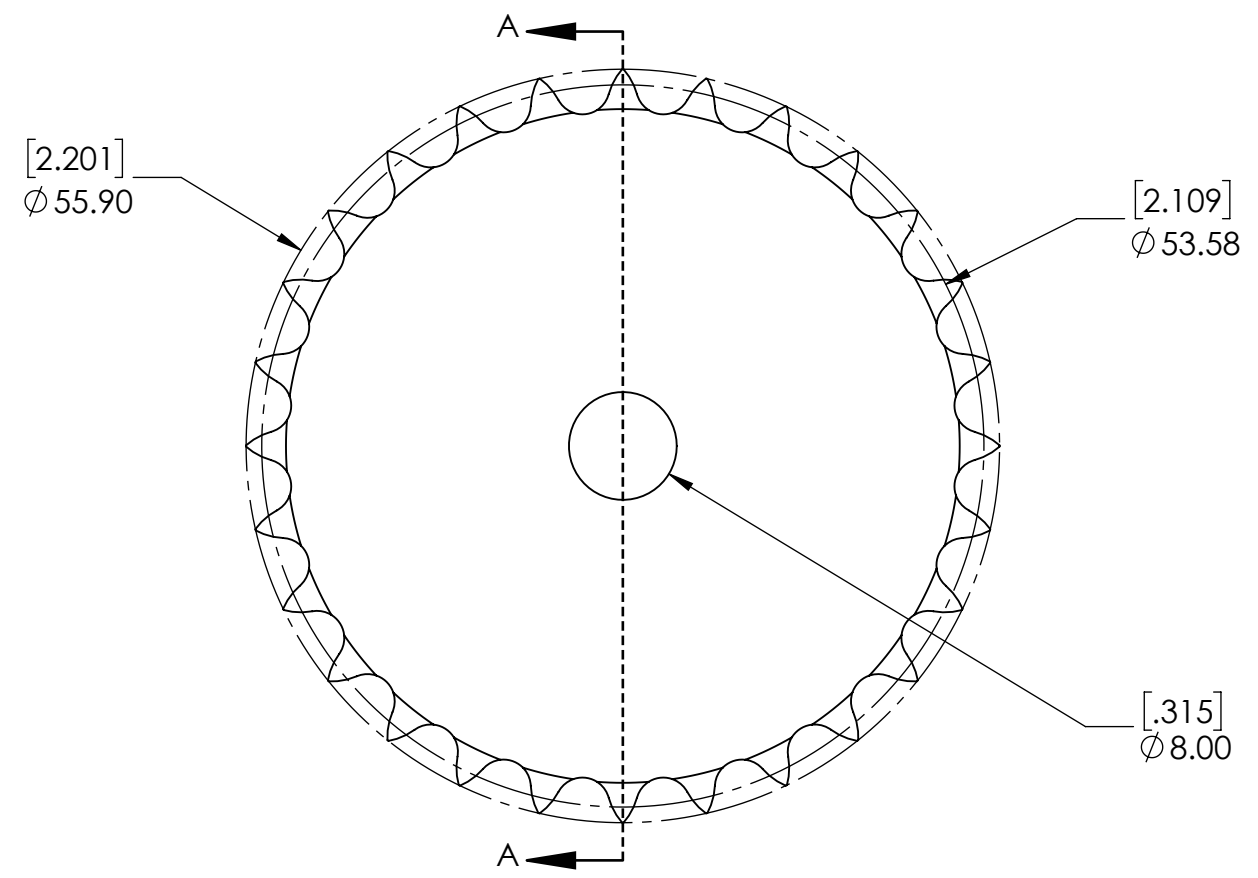


9 8 7 6 5 4 3 2 1

G
F
E
D
C
B
A

G
F
E
D
C
B
A



SECTION A-A

SPROCKETS SPECIFICATIONS		WEIGHT		DATE		BY		REVISION DESCRIPTION		REV
UNITS	mm (INCH)	0.23 LBS								
CHAIN SIZE	04B	MATERIAL	STEEL							
PITCH	6.00 mm	COATING	BLACK OXIDE							
INNER WIDTH	2.80 mm	DRAWN	SEC	07/16/2025						
ROLLER DIA.	4.00 mm	CHECKED	DH	07/17/2025						
TOOTH WIDTH	2.60 mm	APPROVED								
NUMBER OF TEETH	28									
HUB STYLE	B									
BORE TYPE	PLAIN BORE									
BUSHING NUMBER	N/A									
		SIZE PTI		DWG. NO.		ITEM DESCRIPTION:		04B-28B		SCALE
										1:1
										REV
										-

9 8 7 6 5 4 3 2 1