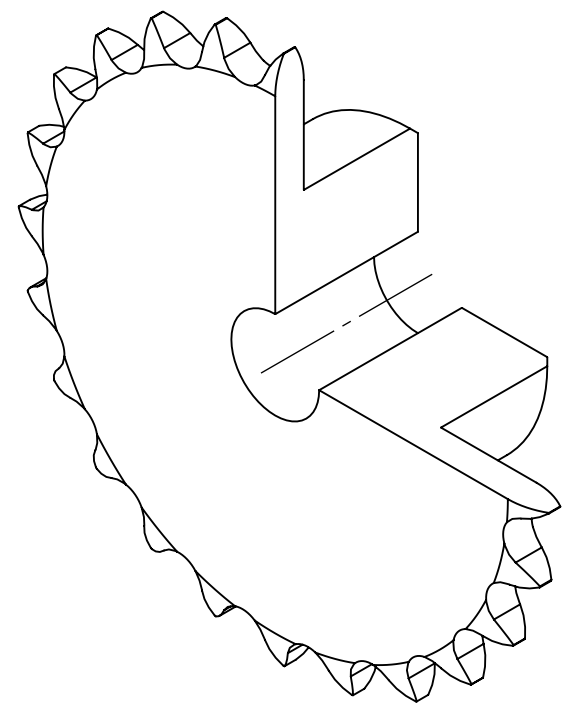
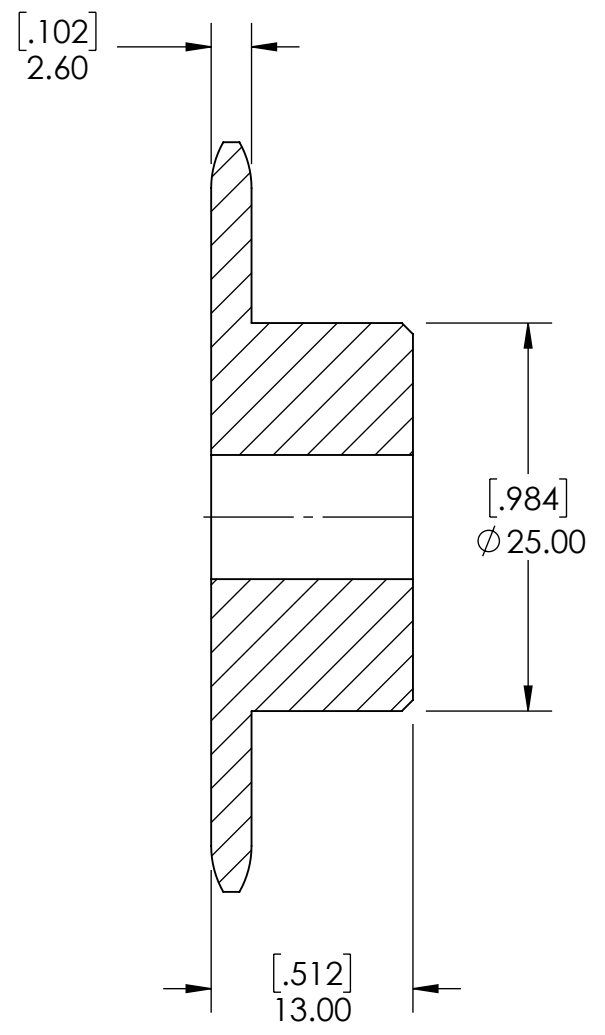
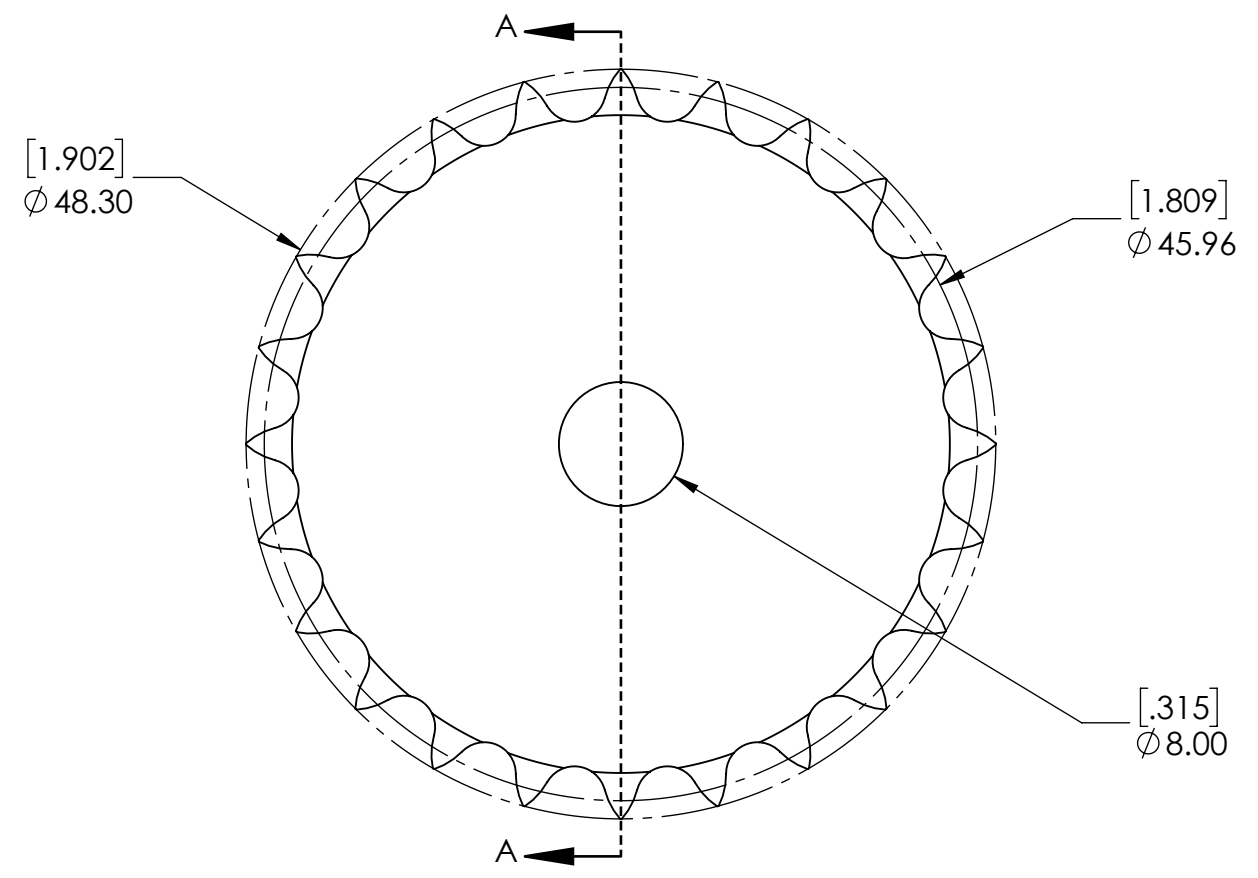


9 8 7 6 5 4 3 2 1

G  
F  
E  
D  
C  
B  
A

G  
F  
E  
D  
C  
B  
A



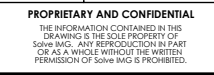
SECTION A-A

SPROCKETS SPECIFICATIONS		WEIGHT		DATE		BY		REVISION DESCRIPTION		REV
UNITS	mm (INCH)	0.15 LBS								
CHAIN SIZE	04B	MATERIAL	STEEL							
PITCH	6.00 mm	COATING	BLACK OXIDE							
INNER WIDTH	2.80 mm	DRAWN	SEC	07/16/2025						
ROLLER DIA.	4.00 mm	CHECKED	DH	07/17/2025						
TOOTH WIDTH	2.60 mm	APPROVED								
NUMBER OF TEETH	24									
HUB STYLE	B									
BORE TYPE	PLAIN BORE									
BUSHING NUMBER	N/A									
		DWG. NO.		DATE		BY		REVISION DESCRIPTION		SCALE
		B PTI		07/17/2025				ITEM DESCRIPTION:		1:1
								04B-24B		REV
										-

9 8 7 6 5 4 3 2 1

A

THIRD ANGLE PROJECTION



PROPRIETARY AND CONFIDENTIAL  
THE INFORMATION CONTAINED IN THIS DRAWING IS THE SOLE PROPERTY OF SOLVE IMG. ANY REPRODUCTION IN PART OR AS A WHOLE WITHOUT THE WRITTEN PERMISSION OF SOLVE IMG IS PROHIBITED.