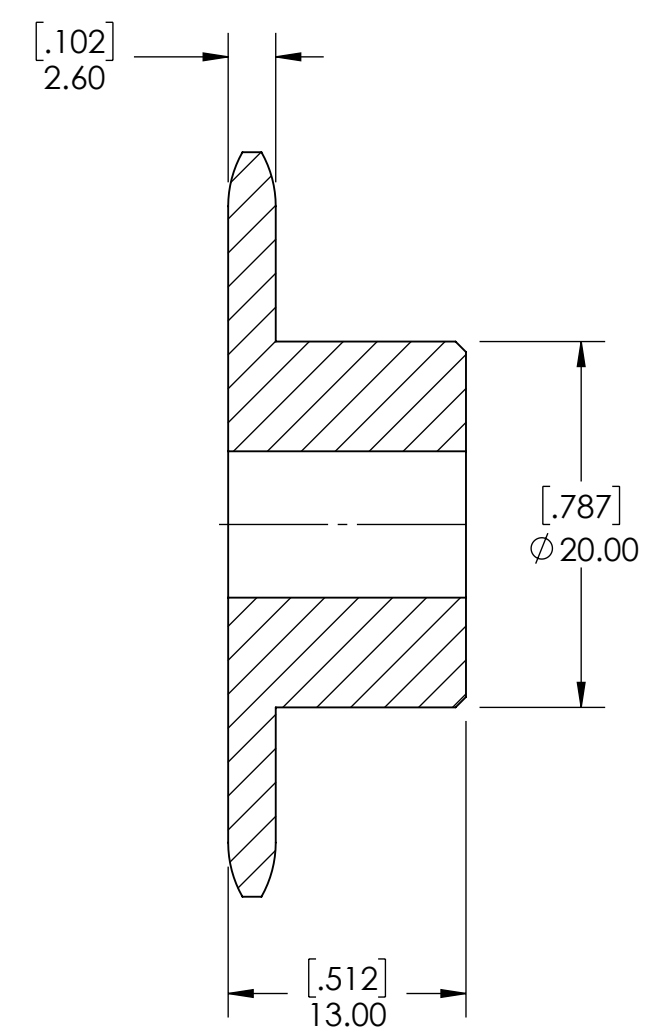
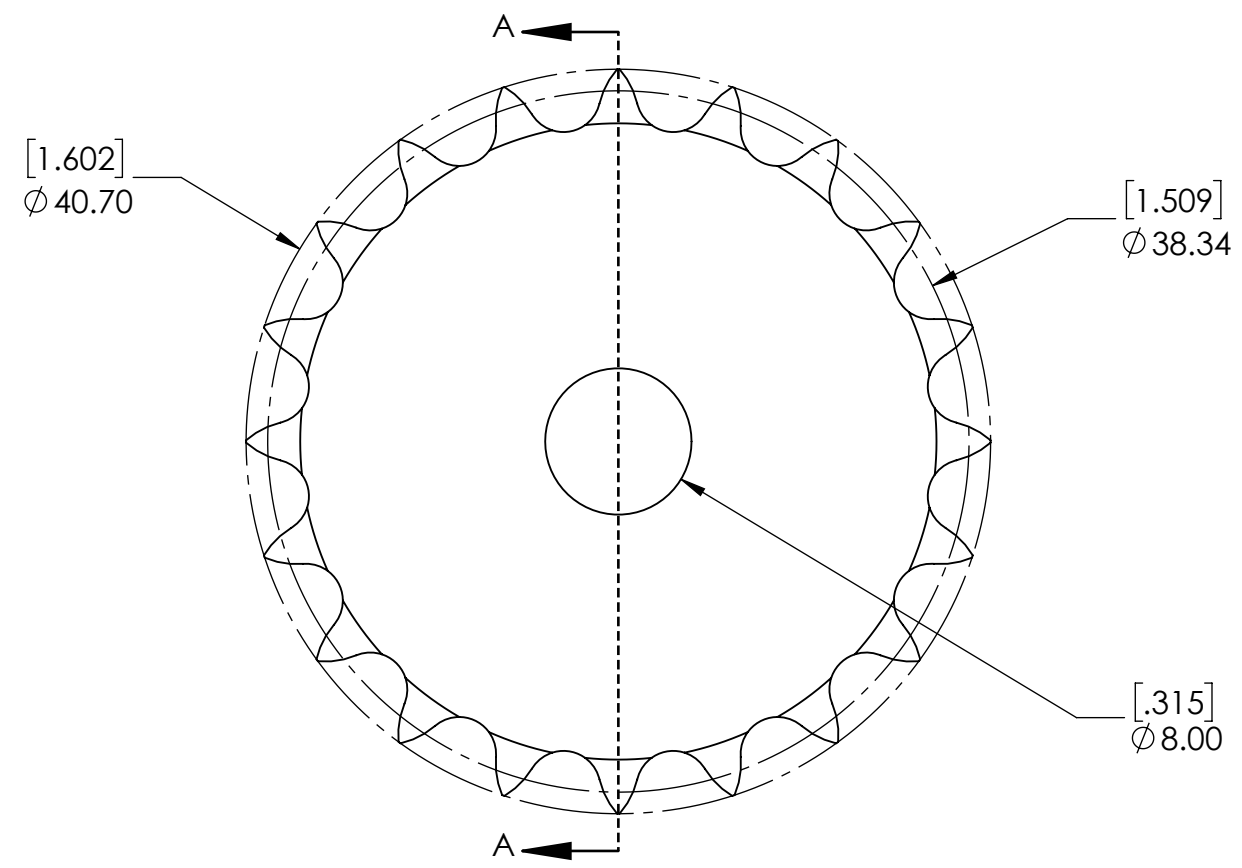
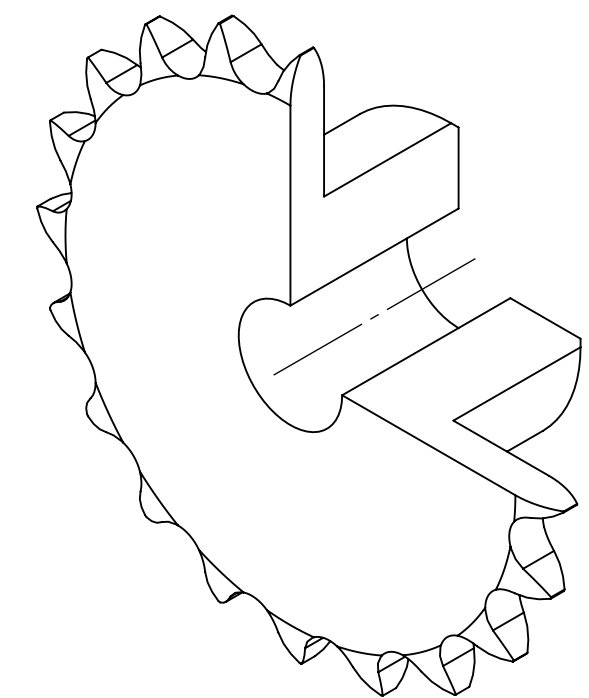


9 8 7 6 5 4 3 2 1

G F E D C B A



SECTION A-A



A B C D E F G

9 8 7 6 5 4 3 2 1

SPROCKETS SPECIFICATIONS		WEIGHT		DATE		BY		REVISION DESCRIPTION		REV
UNITS	mm (INCH)	0.09 LBS								
CHAIN SIZE	04B	STEEL								
PITCH	6.00 mm	BLACK OXIDE		07/16/2025						
INNER WIDTH	2.80 mm	DRAWN		SEC						
ROLLER DIA.	4.00 mm	CHECKED		DH						
TOOTH WIDTH	2.60 mm	APPROVED								
NUMBER OF TEETH	20									
HUB STYLE	B									
BORE TYPE	PLAIN BORE	DWG. NO.		DATE		BY		REVISION DESCRIPTION		SCALE
BUSHING NUMBER	N/A	B		07/17/2025				ITEM DESCRIPTION:		1:1
		PTI						04B-20B		REV
		PROPRIETARY AND CONFIDENTIAL								-
		THE INFORMATION CONTAINED IN THIS DRAWING IS THE SOLE PROPERTY OF SOLVE IMG. ANY REPRODUCTION IN PART OR AS A WHOLE WITHOUT THE WRITTEN PERMISSION OF SOLVE IMG IS PROHIBITED.								