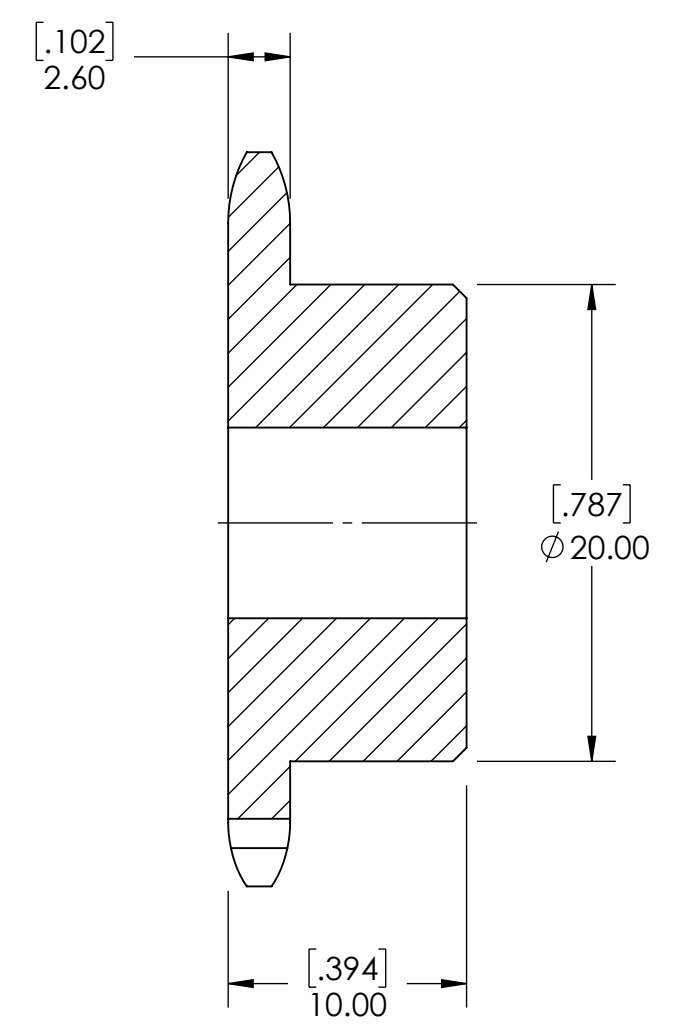
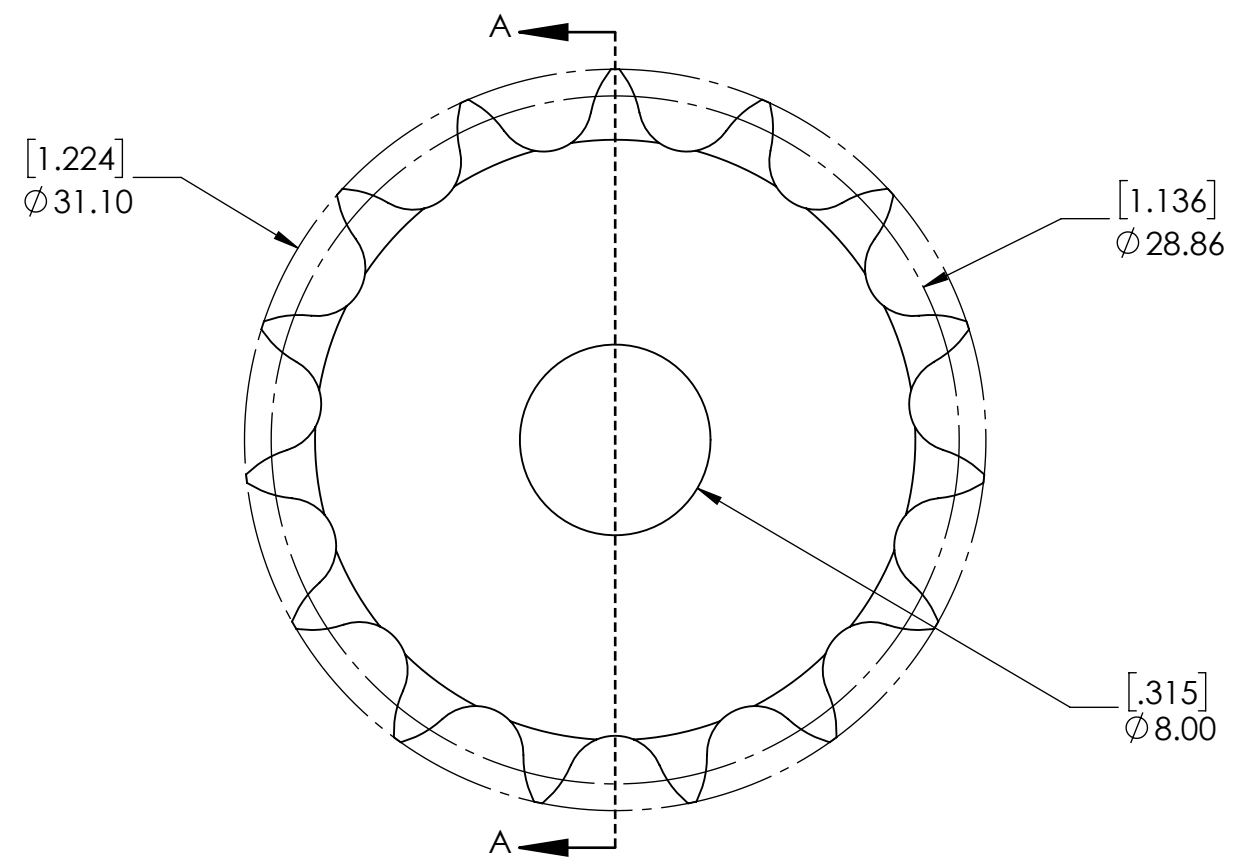
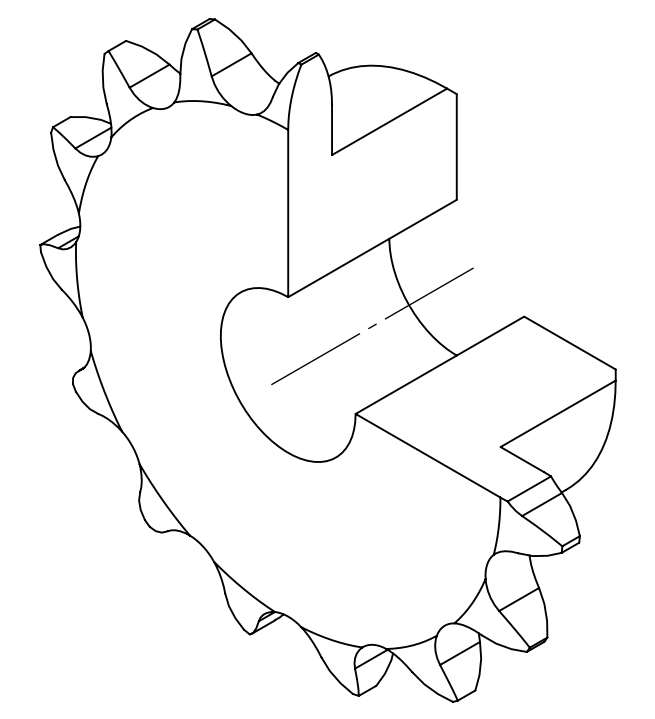


9 8 7 6 5 4 3 2 1

G F E D C B A



SECTION A-A



A B C D E F G

9 8 7 6 5 4 3 2 1

SPROCKETS SPECIFICATIONS		WEIGHT		DATE		BY		REVISION DESCRIPTION		REV
UNITS	mm (INCH)	0.06 LBS								SCALE
CHAIN SIZE	04B	STEEL								1:1
PITCH	6.00 mm	BLACK OXIDE		07/28/2025						REV
INNER WIDTH	2.80 mm	DRAWN		DH						-
ROLLER DIA.	4.00 mm	CHECKED		DH						
TOOTH WIDTH	2.60 mm	APPROVED								
NUMBER OF TEETH	15	THIRD ANGLE PROJECTION								
HUB STYLE	B	DWG. NO.								
BORE TYPE	PLAIN BORE	PTI		PROPRIETARY AND CONFIDENTIAL						
BUSHING NUMBER	N/A	04B-15B		THE INFORMATION CONTAINED IN THIS DRAWING IS THE SOLE PROPERTY OF SOLVE IMG. ANY REPRODUCTION IN PART OR AS A WHOLE WITHOUT THE WRITTEN PERMISSION OF SOLVE IMG IS PROHIBITED.						