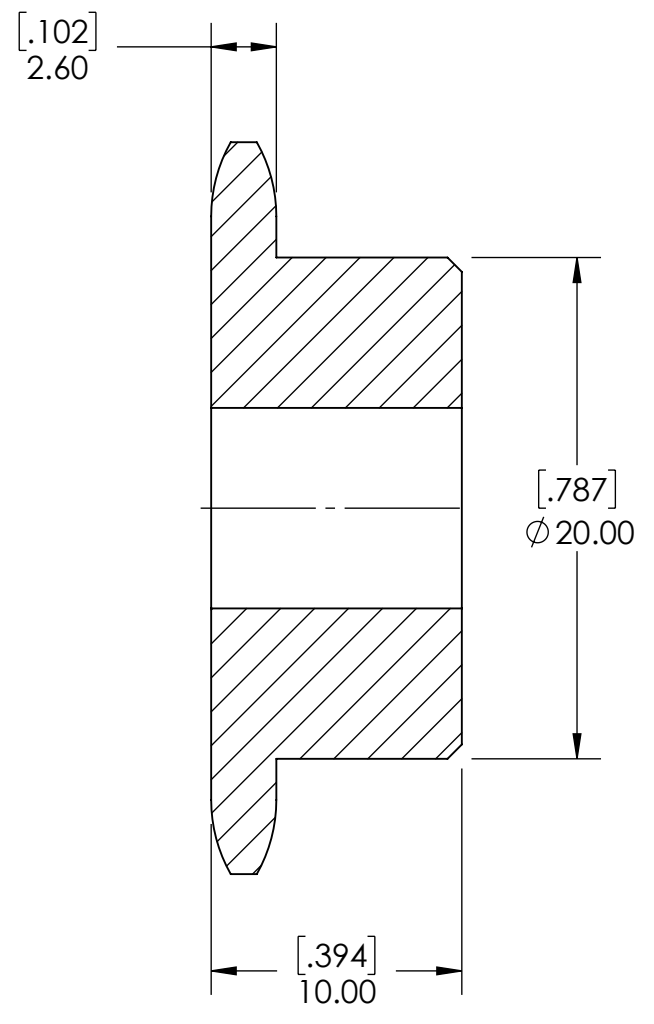
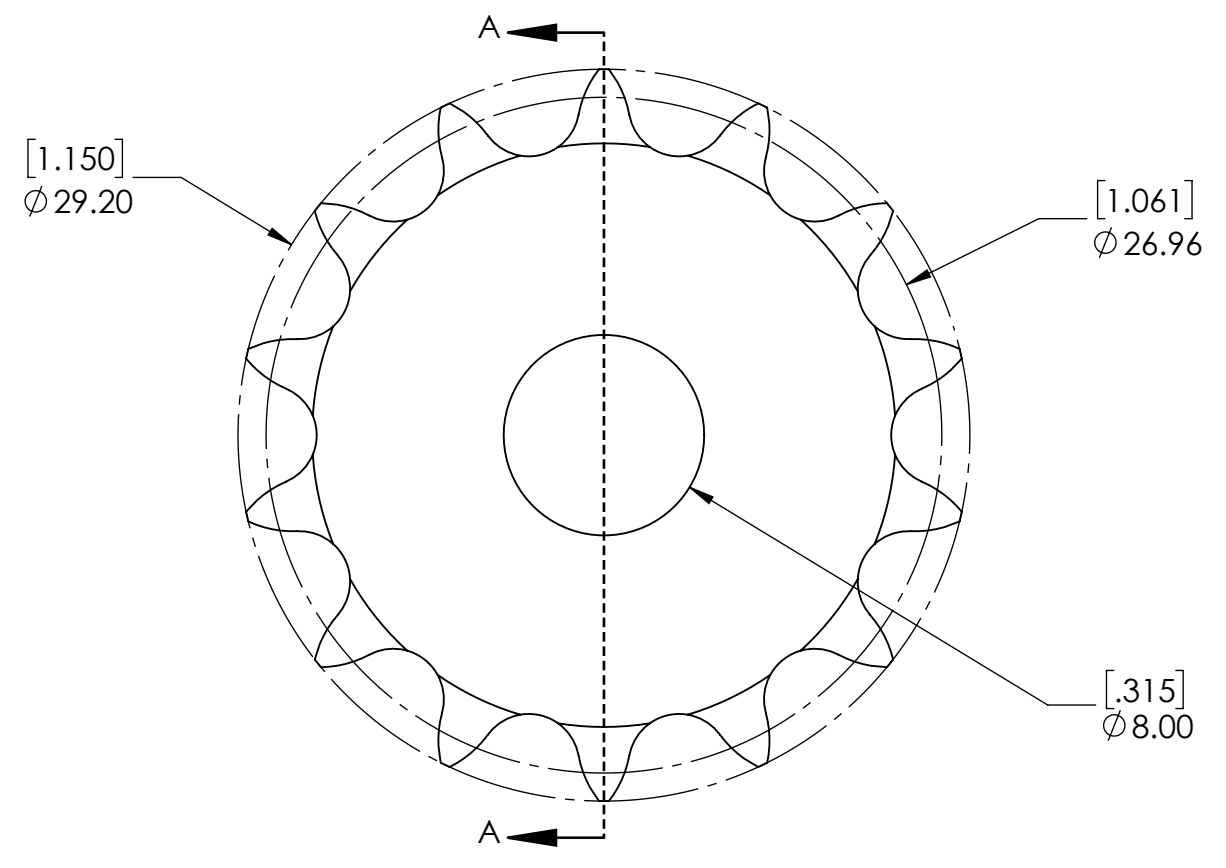


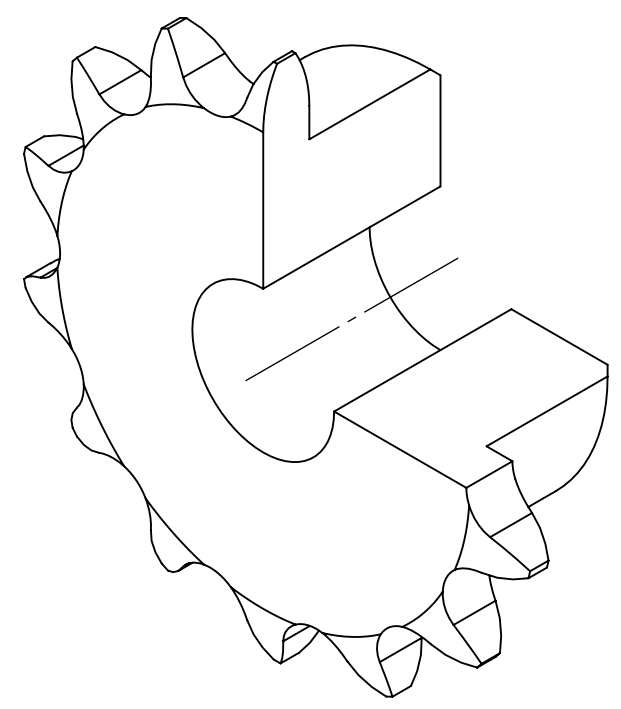
9 8 7 6 5 4 3 2 1

G  
F  
E  
D  
C  
B  
A

G  
F  
E  
D  
C  
B  
A



SECTION A-A



SPROCKETS SPECIFICATIONS		WEIGHT		0.05 LBS	
UNITS	mm (INCH)	MATERIAL	STEEL		
CHAIN SIZE	04B	COATING	BLACK OXIDE		
PITCH	6.00 mm	DRAWN	SEC	07/16/2025	
INNER WIDTH	2.80 mm	CHECKED	DH	07/17/2025	
ROLLER DIA.	4.00 mm	APPROVED	DATE BY REVISION DESCRIPTION		
TOOTH WIDTH	2.60 mm		ITEM DESCRIPTION:		
NUMBER OF TEETH	14		04B-14B		
HUB STYLE	B	DWG. NO.		SCALE	
BORE TYPE	PLAIN BORE	PROPRIETARY AND CONFIDENTIAL		1:1	
BUSHING NUMBER	N/A	THE INFORMATION CONTAINED IN THIS DRAWING IS THE SOLE PROPERTY OF SOLVE IMG. ANY REPRODUCTION IN PART OR AS A WHOLE WITHOUT THE WRITTEN PERMISSION OF SOLVE IMG IS PROHIBITED.		REV	
				-	

9 8 7 6 5 4 3 2 1