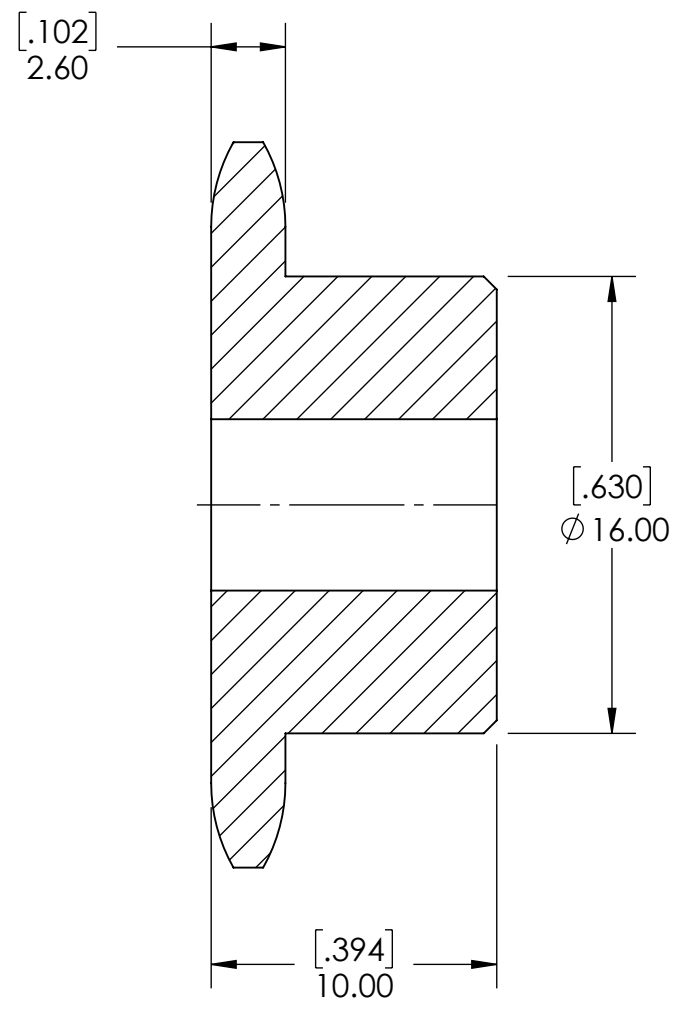
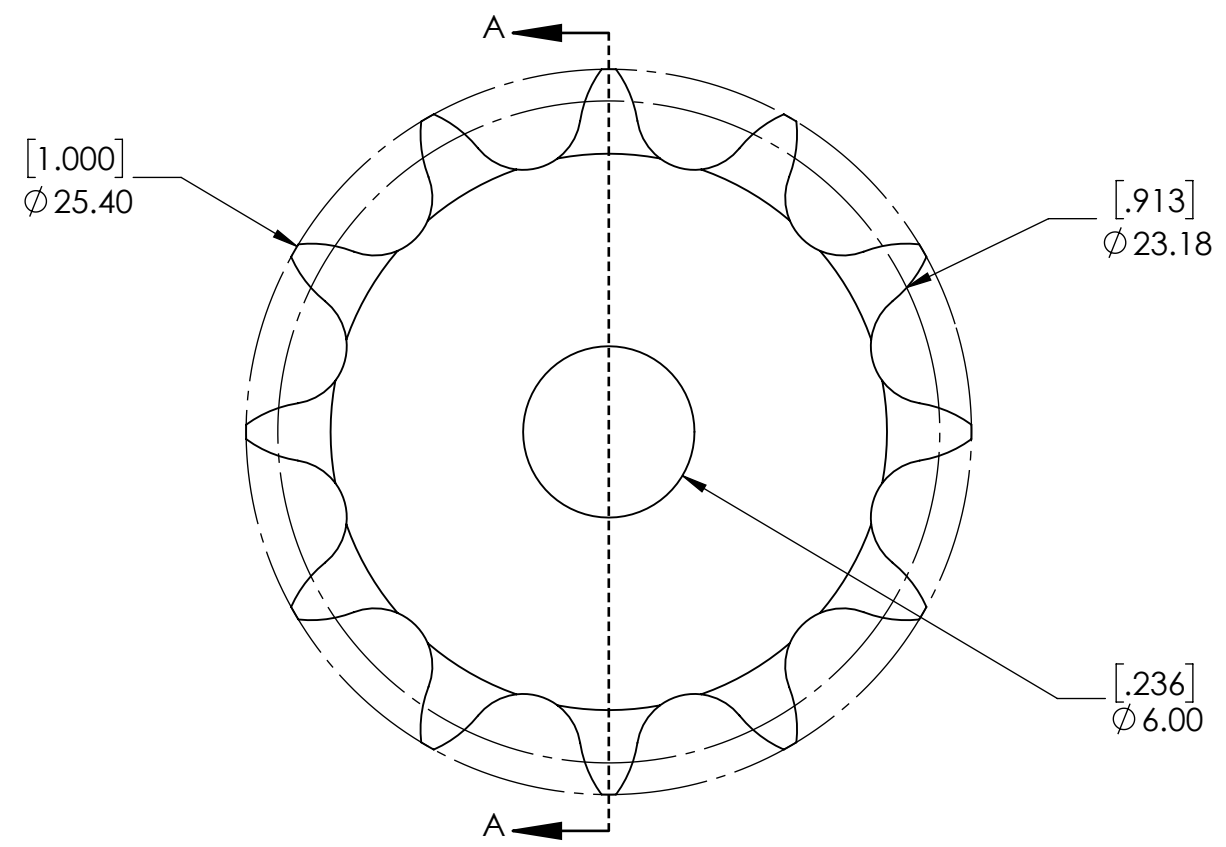


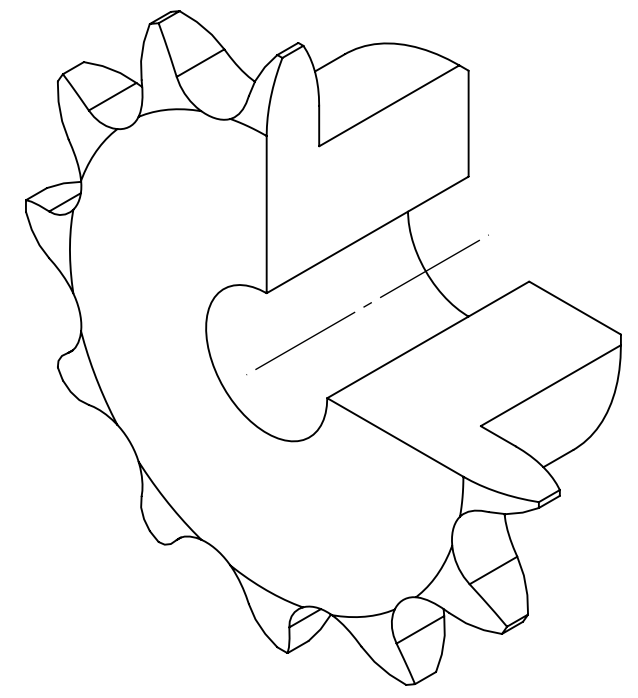
9 8 7 6 5 4 3 2 1


G
F
E
D
C
B
A

G
F
E
D
C
B
A




SECTION A-A



SPROCKETS SPECIFICATIONS		WEIGHT		0.04 LBS	
UNITS	mm (INCH)	MATERIAL	STEEL		
CHAIN SIZE	04B	COATING	BLACK OXIDE		
PITCH	6.00 mm	DRAWN	SEC	07/16/2025	
INNER WIDTH	2.80 mm	CHECKED	DH	07/17/2025	
ROLLER DIA.	4.00 mm	APPROVED			
TOOTH WIDTH	2.60 mm	DATE	BY	REVISION DESCRIPTION	
NUMBER OF TEETH	12	ITEM DESCRIPTION:			REV
HUB STYLE	B	04B-12B			SCALE
BORE TYPE	PLAIN BORE				1:1
BUSHING NUMBER	N/A				REV
		DWG. NO.		-	



THIRD ANGLE PROJECTION



PROPRIETARY AND CONFIDENTIAL
THE INFORMATION CONTAINED IN THIS DRAWING IS THE SOLE PROPERTY OF SOLVE IMG. ANY REPRODUCTION IN PART OR AS A WHOLE WITHOUT THE WRITTEN PERMISSION OF SOLVE IMG IS PROHIBITED.

9 8 7 6 5 4 3 2 1